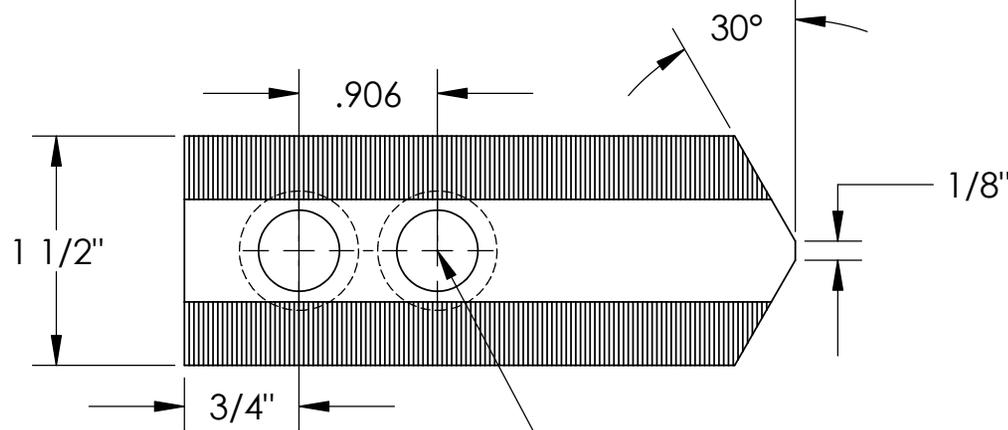
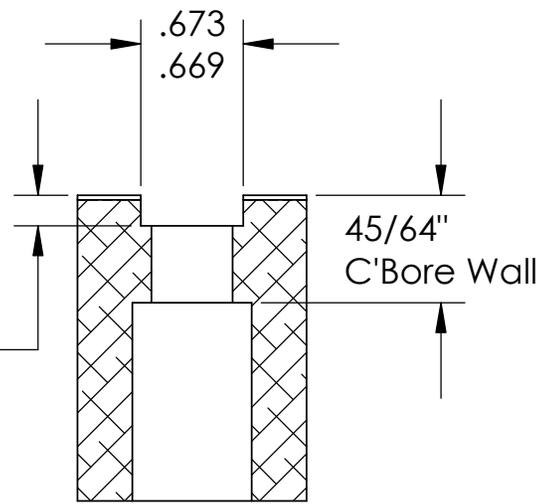
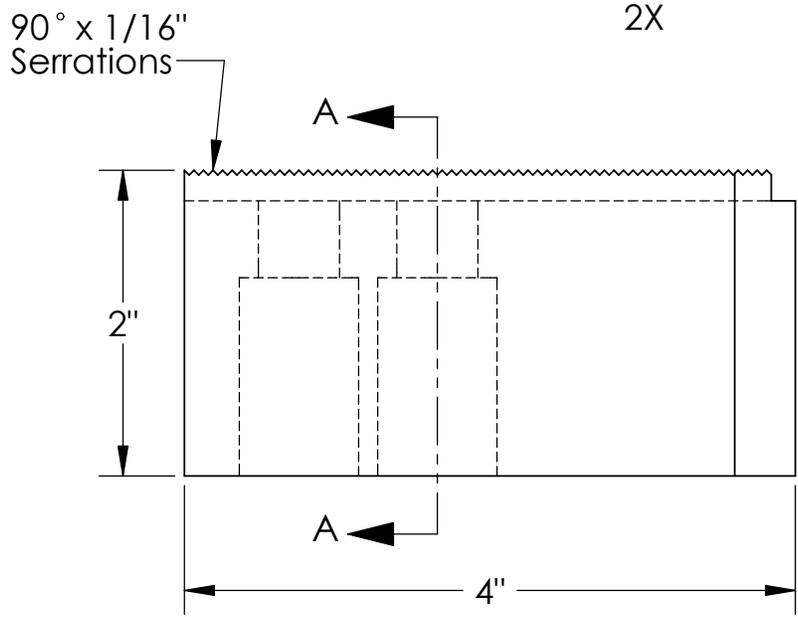
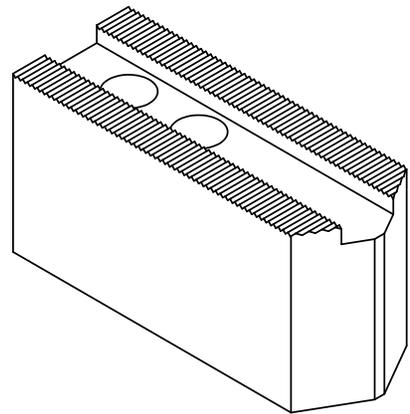


THE INFORMATION CONTAINED IN THIS DRAWING IS THE SOLE PROPERTY OF ABBOTT WORKHOLDING PRODUCTS. ANY REPRODUCTION IN PART OR WHOLE WITHOUT THE WRITTEN PERMISSION OF ABBOTT WORKHOLDING PRODUCTS IS PROHIBITED.



Ø 17/32" Thru Holes
 Ø 25/32" C'Bore Holes
 2X



SECTION A-A

UNLESS OTHERWISE SPECIFIED DIMENSIONS ARE IN INCHES		Abbott Workholding Products	
TOLERANCES ARE:			
FRACTIONS	DECIMALS	ANGLES	430 McCall Road Manhattan, KS 66502 785-776-8555 785-587-0004 Fax 800-528-6459 www.abbottworkholding.com engineering@abbottworkholding.com
±1/32	.XX±.015	± 5°	
	.XXX±.005		
	.XXXX±.0005		
DRAWN	DATE	CUSTOMER: Stock	
Ahh	5/4/06		
MATERIAL	WEIGHT(POUNDS)	SIZE	Part Name
1018	2.7	A	SMW8S
STYLE	DISPOSITION	CUSTOMER:	REV.
J	Released	Stock	B