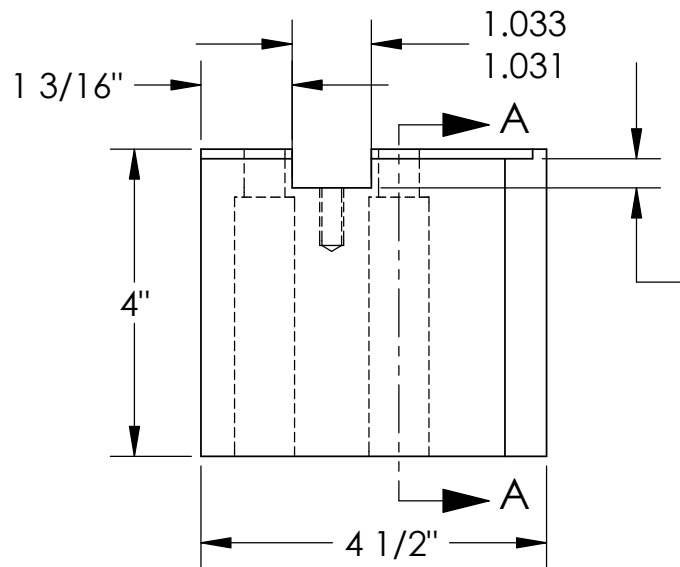
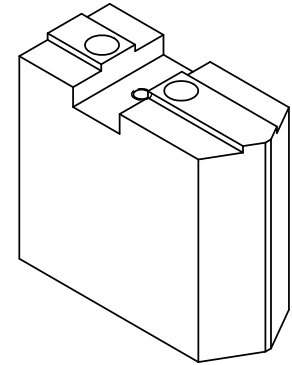
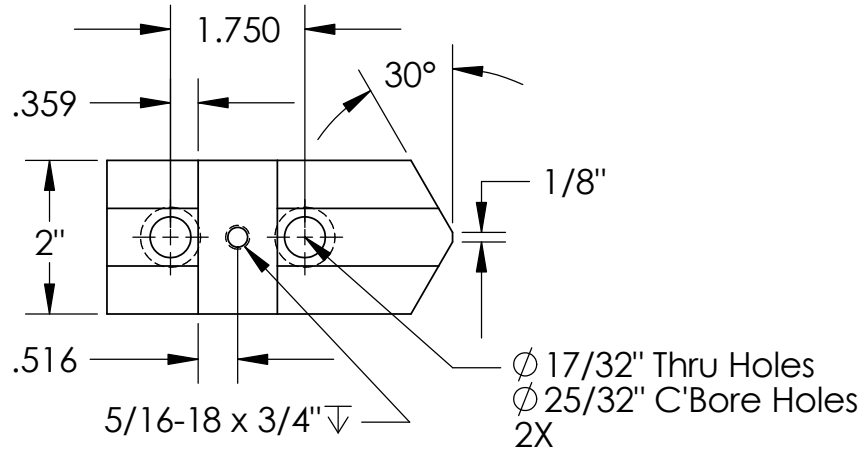
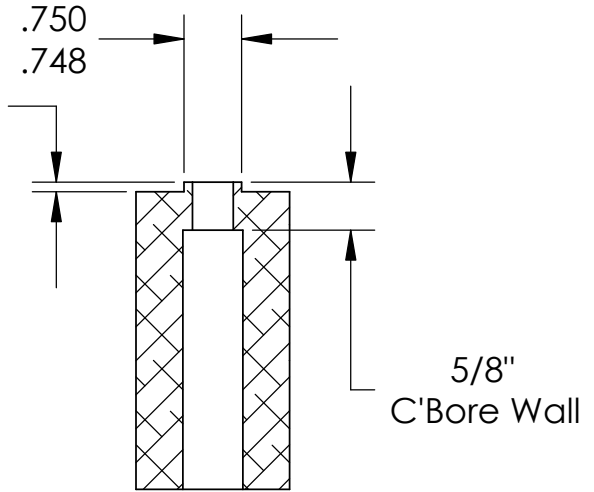


THE INFORMATION CONTAINED IN THIS DRAWING IS THE SOLE PROPERTY OF ABBOTT WORKHOLDING PRODUCTS. ANY REPRODUCTION IN PART OR WHOLE WITHOUT THE WRITTEN PERMISSION OF ABBOTT WORKHOLDING PRODUCTS IS PROHIBITED.



.380^{+.005}_{-.000}
Cross Slot Depth

.125 \pm .010
Tongue Height



SECTION A-A

UNLESS OTHERWISE SPECIFIED DIMENSIONS ARE IN INCHES	
TOLERANCES ARE:	
FRACTIONS	DECIMALS
$\pm 1/32$.XX \pm .015
	.XXX \pm .005
	.XXXX \pm .0005
ANGLES	$\pm 5^\circ$
DRAWN	DATE
Ahh	07/07/06
MATERIAL	WEIGHT (POUNDS)
6061	2.9
STYLE	DISPOSITION
C	Released

Abbott Workholding Products

430 McCall Road
Manhattan, KS 66502
785-776-8555
785-587-0004 Fax
800-528-6459

www.abbottworkholding.com
engineering@abbottworkholding.com

CUSTOMER:	SIZE	Part Name	REV.
Stock	A	10A04A2	--