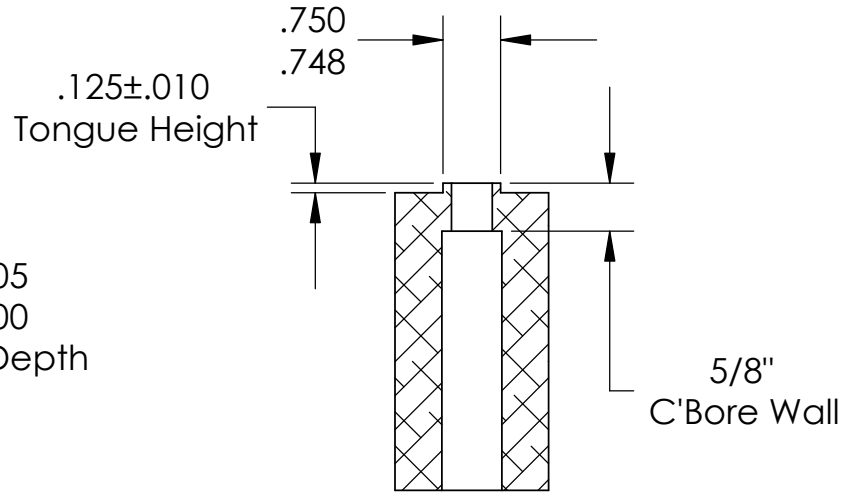
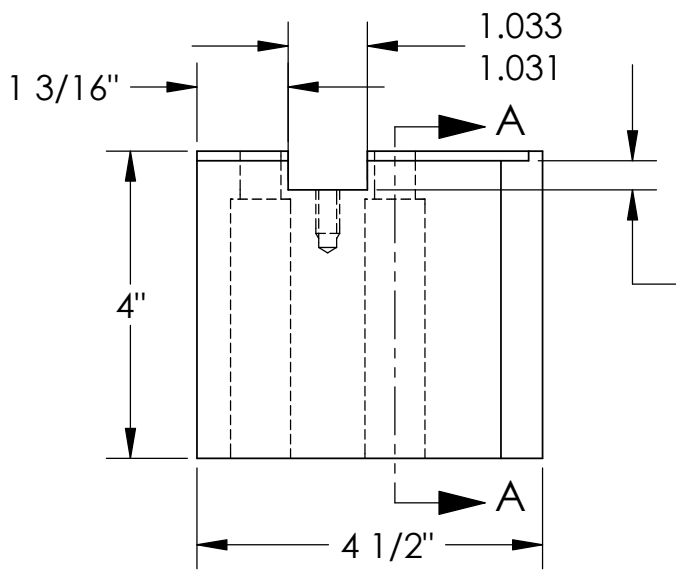
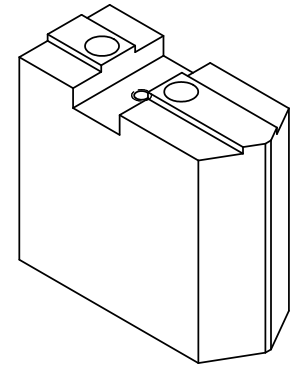
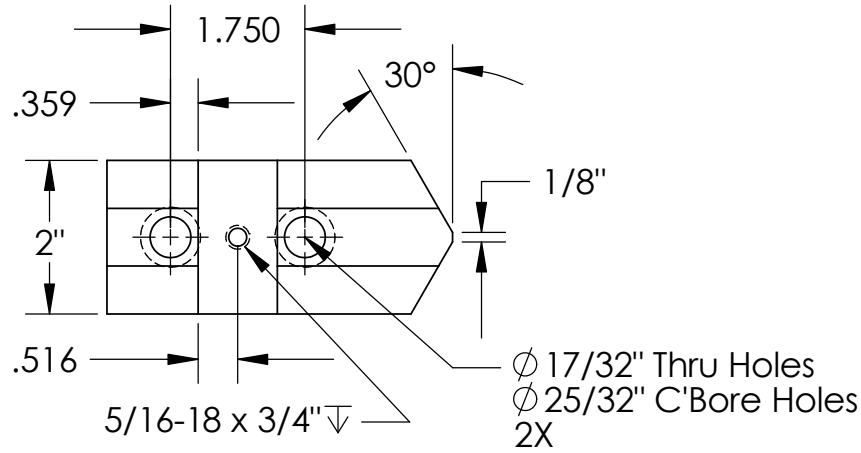


THE INFORMATION CONTAINED IN THIS DRAWING IS THE SOLE PROPERTY OF ABBOTT WORKHOLDING PRODUCTS. ANY REPRODUCTION IN PART OR WHOLE WITHOUT THE WRITTEN PERMISSION OF ABBOTT WORKHOLDING PRODUCTS IS PROHIBITED.



SECTION A-A

UNLESS OTHERWISE SPECIFIED DIMENSIONS ARE IN INCHES		Abbott Workholding Products 430 McCall Road Manhattan, KS 66502 785-776-8555 785-587-0004 Fax 800-528-6459 www.abbottworkholding.com engineering@abbottworkholding.com		SIZE	Part Name	REV.
TOLERANCES ARE:						
FRACTIONS	DECIMALS					
±1/32	.XX ± .015	± 5°				
	.XXX ± .005					
	.XXXX ± .0005					
DRAWN	DATE	CUSTOMER:				
Ahh	6/8/06	Stock		A	10A04S2	--
MATERIAL	WEIGHT (POUNDS)					
1018	8.3					
STYLE	DISPOSITION					
C	Released					