

THE INFORMATION CONTAINED IN THIS DRAWING IS THE SOLE PROPERTY OF ABBOTT WORKHOLDING PRODUCTS. ANY REPRODUCTION IN PART OR WHOLE WITHOUT THE WRITTEN PERMISSION OF ABBOTT WORKHOLDING PRODUCTS IS PROHIBITED.

.275
.250
TYP.
Slot Depth

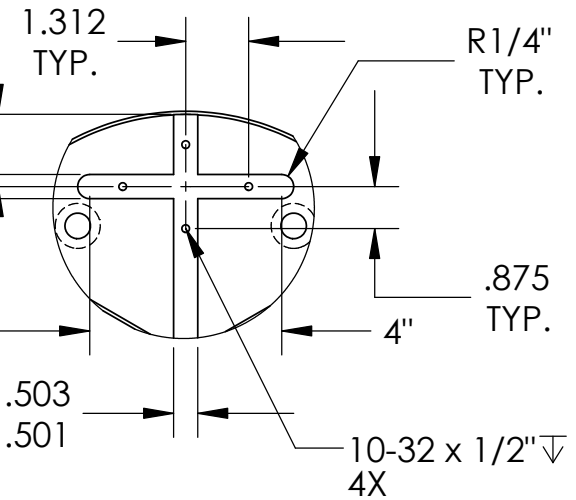
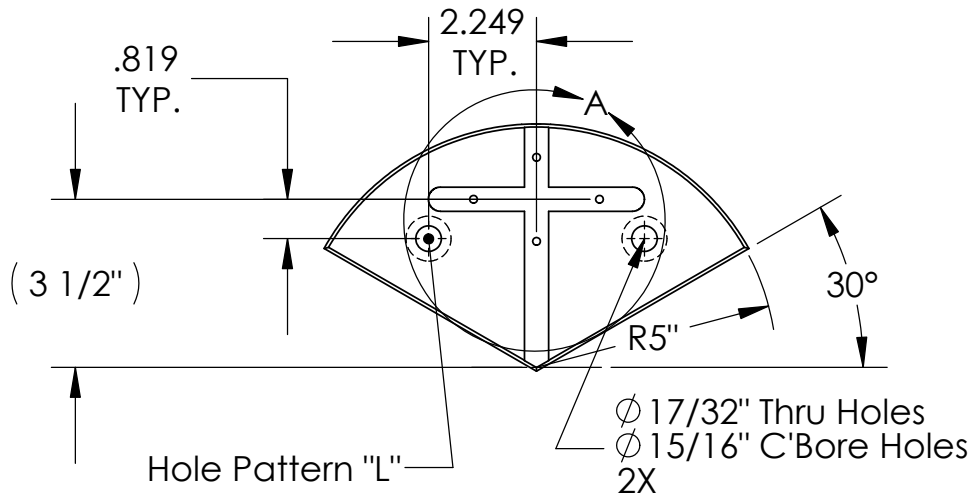
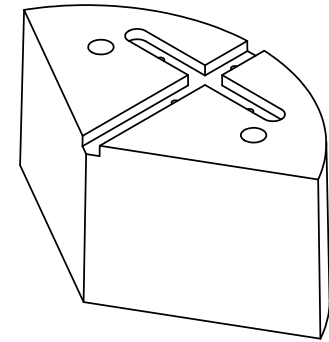
4"
MIN

1°
TYP.

1"
C'Bore Wall

Machined On Narrow
Side of Draft

(1 1/2")



DETAIL A

UNLESS OTHERWISE SPECIFIED
DIMENSIONS ARE IN INCHES
TOLERANCES ARE:
FRACTIONS DECIMALS ANGLES
±1/32 .XX±.015 ±5°
.XXX±.005
.XXXX±.0005

Abbott Workholding Products

430 McCall Road
Manhattan, KS 66502
785-776-8555
785-587-0004 Fax
800-528-6459

www.abbottworkholding.com
engineering@abbottworkholding.com

DRAWN DSW	DATE 08/10/00
MATERIAL 319	WEIGHT (POUNDS) 10.3
STYLE O	DISPOSITION Released

CUSTOMER: Stock	SIZE A	Part Name 10SP4	REV. C
--------------------	-----------	--------------------	-----------