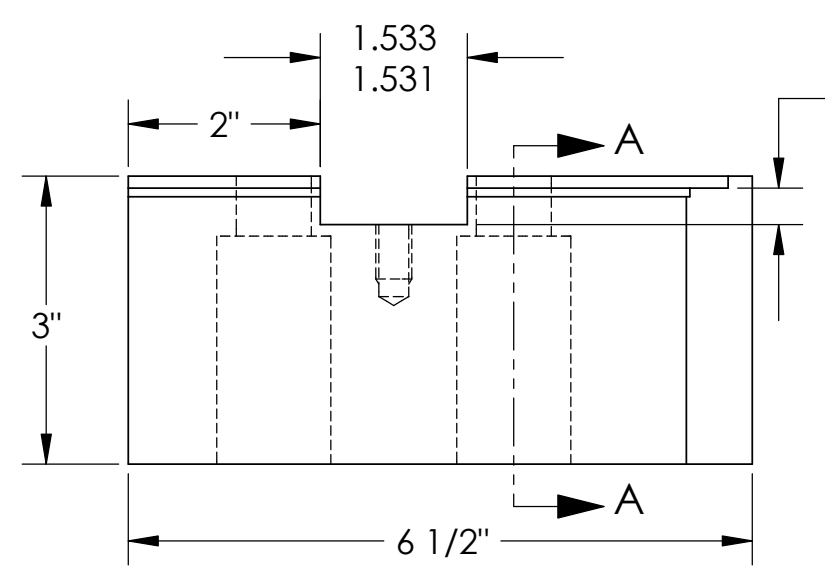
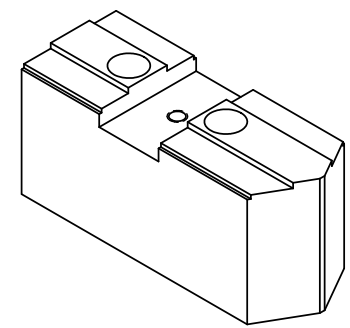
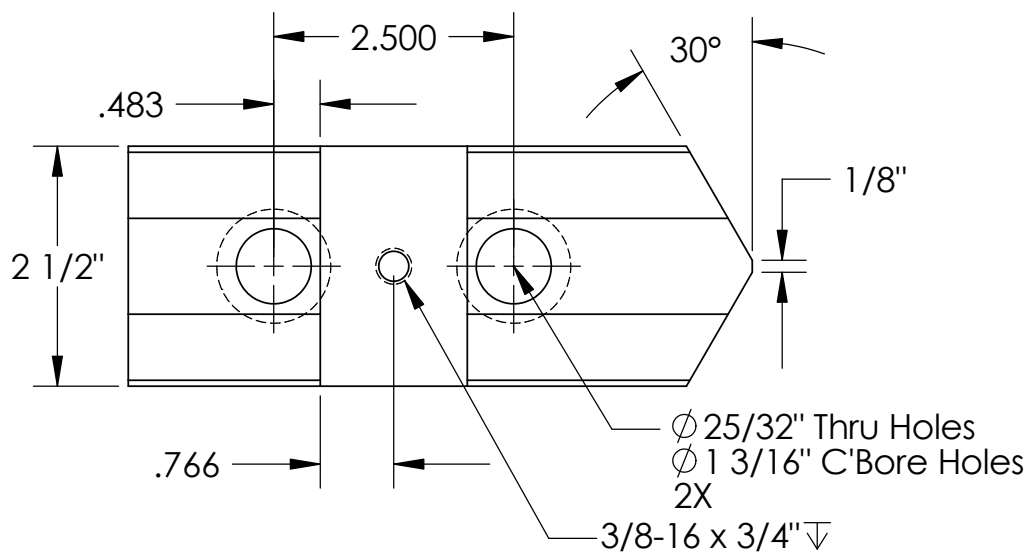


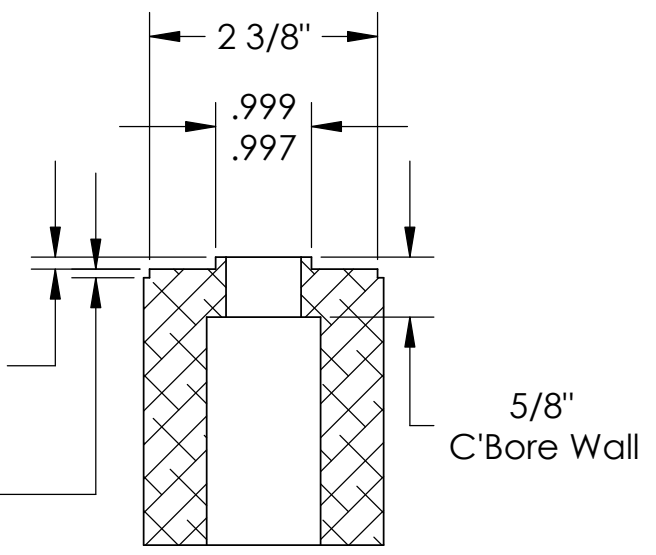
THE INFORMATION CONTAINED IN THIS DRAWING IS THE SOLE PROPERTY OF ABBOTT WORKHOLDING PRODUCTS. ANY REPRODUCTION IN PART OR WHOLE WITHOUT THE WRITTEN PERMISSION OF ABBOTT WORKHOLDING PRODUCTS IS PROHIBITED.



.380^{+0.005}_{-.000}
Cross Slot Depth

.125±.010
Tongue Height

.09
Pad Relief



| | |
|---|-----------------|
| UNLESS OTHERWISE SPECIFIED DIMENSIONS ARE IN INCHES | |
| TOLERANCES ARE: | |
| FRACTIONS | DECIMALS ANGLES |
| ±1/32 | .XX±.015 ±5° |
| | .XXX±.005 |
| | .XXXX±.0005 |
| DRAWN | DATE |
| Ahh | 07/10/06 |
| MATERIAL | WEIGHT(POUNDS) |
| 1018 | 10.7 |
| STYLE | DISPOSITION |
| C | Released |

Abbott Workholding Products

430 McCall Road
Manhattan, KS 66502
785-776-8555
785-587-0004 Fax
800-528-6459

www.abbottworkholding.com
engineering@abbottworkholding.com

| | | | |
|-----------|------|-----------|------|
| CUSTOMER: | SIZE | Part Name | REV. |
| Stock | A | 15A04S | -- |