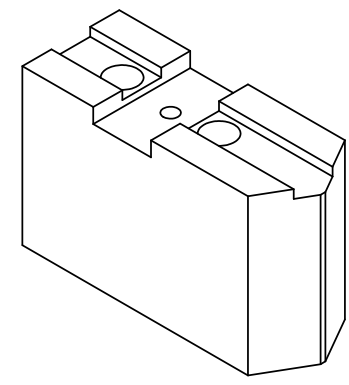
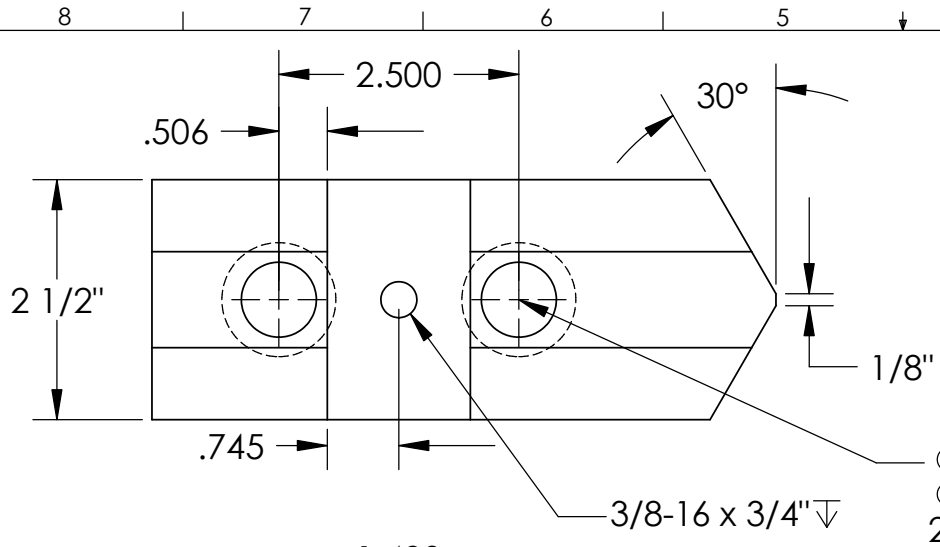
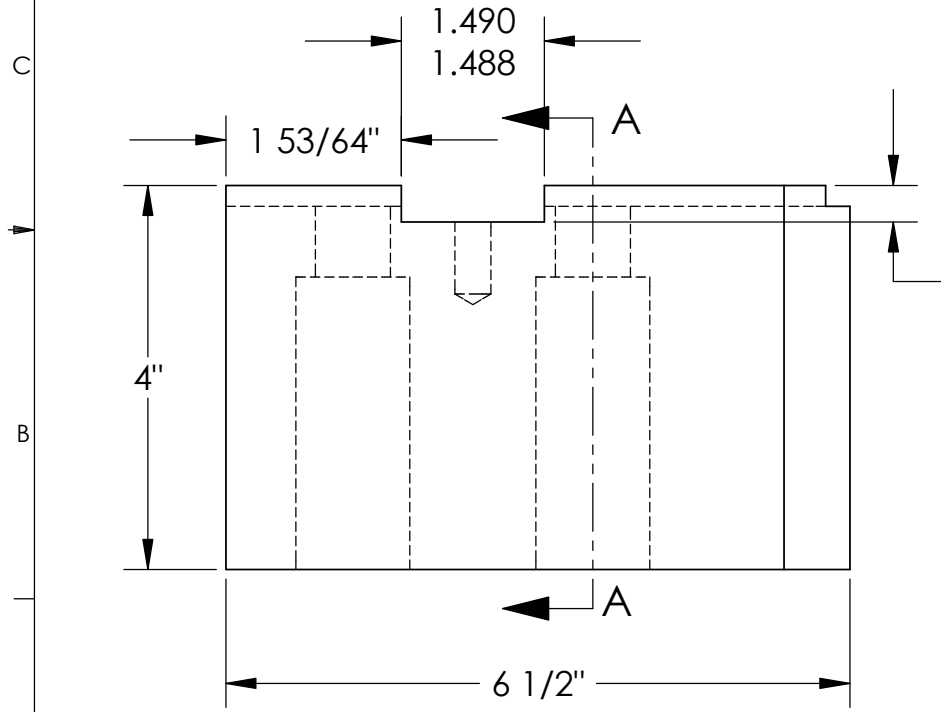


THE INFORMATION CONTAINED IN THIS DRAWING IS THE SOLE PROPERTY OF ABBOTT WORKHOLDING PRODUCTS. ANY REPRODUCTION IN PART OR WHOLE WITHOUT THE WRITTEN PERMISSION OF ABBOTT WORKHOLDING PRODUCTS IS PROHIBITED.

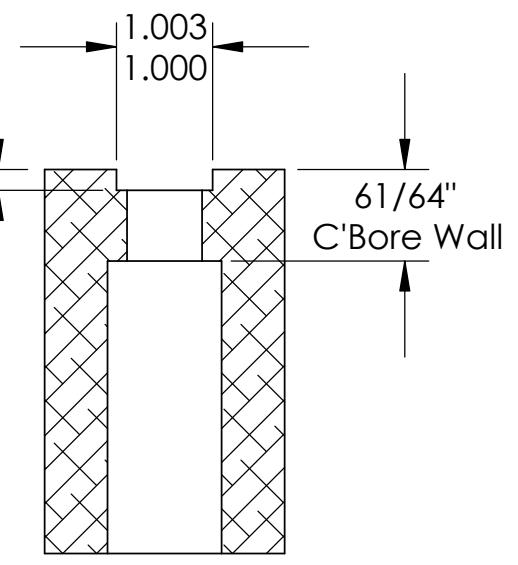


ϕ 25/32" Thru
 ϕ 1 3/16" C'Bore
 2X



.218±.010
 Slot Depth

.380^{+.005}
_{-.000}
 Cross Slot Depth



SECTION A-A

UNLESS OTHERWISE SPECIFIED
 DIMENSIONS ARE IN INCHES
 TOLERANCES ARE:
 FRACTIONS DECIMALS ANGLES
 ±1/32 .XX±.015 ±5°
 .XXX±.005
 .XXXX±.0005

Abbott Workholding Products

430 McCall Road
 Manhattan, KS 66502
 785-776-8555
 785-587-0004 Fax
 800-528-6459

www.abbottworkholding.com
 engineering@abbottworkholding.com

DRAWN TBJ	DATE 04/26/06
MATERIAL 6061	WEIGHT(POUNDS) 5.1
STYLE B	DISPOSITION Released

CUSTOMER: Stock	SIZE A	Part Name 15A1	REV. --
--------------------	-----------	-------------------	------------