

THE INFORMATION CONTAINED IN THIS DRAWING IS THE SOLE PROPERTY OF ABBOTT WORKHOLDING PRODUCTS. ANY REPRODUCTION IN PART OR WHOLE WITHOUT THE WRITTEN PERMISSION OF ABBOTT WORKHOLDING PRODUCTS IS PROHIBITED.

.275  
.250  
TYP.  
Slot Depth

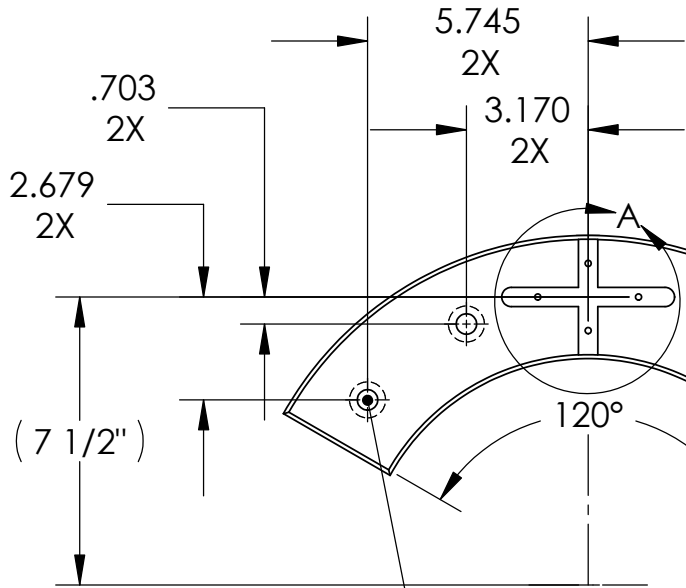
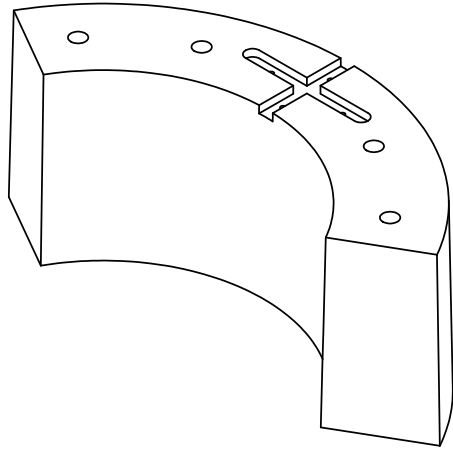
1°  
TYP.

Machined On Narrow  
Side of Draft

1"  
C'Bore Wall

(15 19/32")

6"  
MIN



Ø 17/32" Thru Holes  
Ø 15/16" C'Bore Holes  
4X

(1 1/2")

.503  
.501

.503  
.501

1.312  
TYP.

R1/4"  
TYP.

.875  
TYP.

DETAIL A

10-32 x 1/2" ∇  
4X

UNLESS OTHERWISE SPECIFIED  
DIMENSIONS ARE IN INCHES  
TOLERANCES ARE:  
FRACTIONS DECIMALS ANGLES  
±1/32 .XX±.015 ±5°  
.XXX±.005  
.XXXX±.0005

DRAWN TM	DATE 03/06/01
MATERIAL A319	WEIGHT (POUNDS) 28.2
STYLE O	DISPOSITION Released

**Abbott Workholding Products**

430 McCall Road  
Manhattan, KS 66502  
785-776-8555  
785-587-0004 Fax  
800-528-6459

www.abbottworkholding.com  
engineering@abbottworkholding.com

CUSTOMER: Stock	SIZE A	Part Name 1812SP6	REV. A
--------------------	-----------	----------------------	-----------