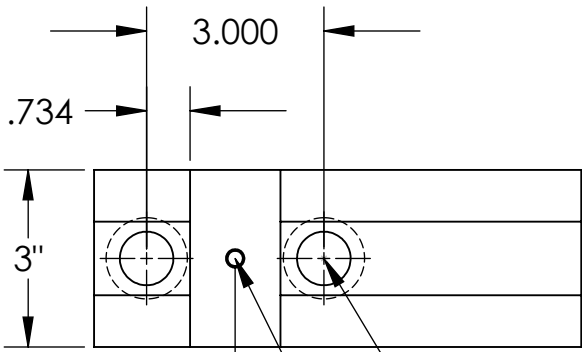
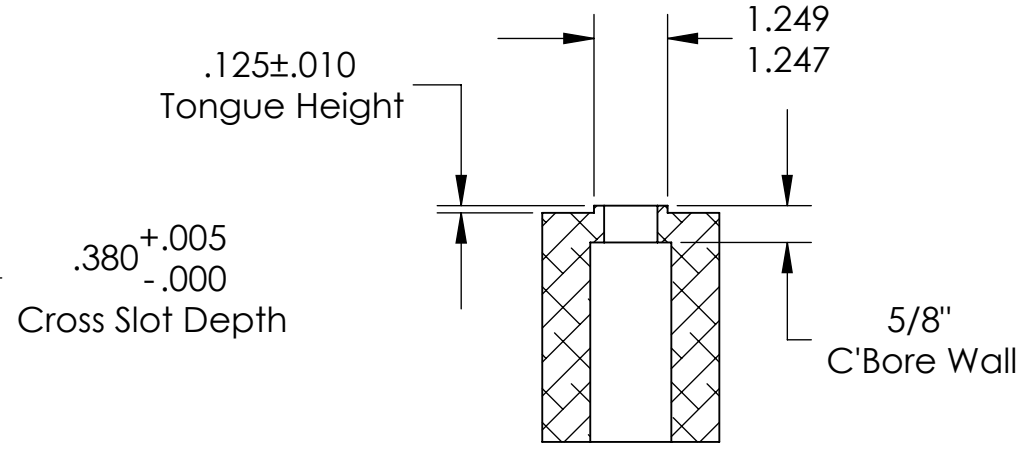
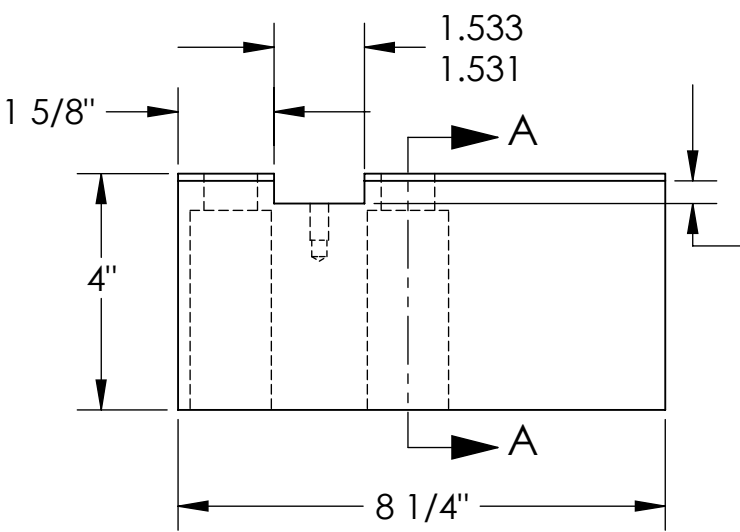
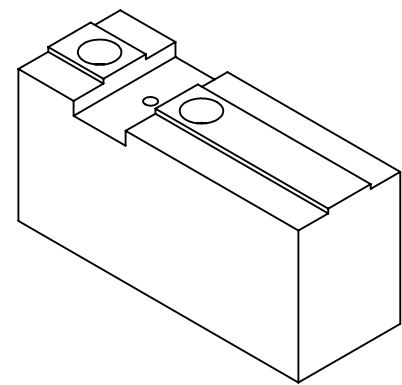


THE INFORMATION CONTAINED IN THIS DRAWING IS THE SOLE PROPERTY OF ABBOTT WORKHOLDING PRODUCTS. ANY REPRODUCTION IN PART OR WHOLE WITHOUT THE WRITTEN PERMISSION OF ABBOTT WORKHOLDING PRODUCTS IS PROHIBITED.



ϕ 29/32" Thru Holes
 ϕ 1 3/8" C'Bore Holes
 2X
 Tap Drill ϕ 5/16" ∇ 1"
 3/8-16 UNC-2B ∇ 3/4"



SECTION A-A

| | | | |
|---|-------------------------|--|------------------------|
| UNLESS OTHERWISE SPECIFIED DIMENSIONS ARE IN INCHES TOLERANCES ARE: FRACTIONS DECIMALS ANGLES $\pm 1/32$.XX \pm .015 $\pm 5^\circ$.XXX \pm .005 .XXXX \pm .0005 | | Abbott Workholding Products 430 McCall Road Manhattan, KS 66502 785-776-8555 785-587-0004 Fax 800-528-6459 www.abbottworkholding.com engineering@abbottworkholding.com | |
| DRAWN EWP | DATE 04/16/12 | CUSTOMER: Stock | |
| MATERIAL 1018 | WEIGHT(POUNDS) 24 | | |
| STYLE C | DISPOSITION Released | SIZE A | Part Name 21A04S1SQ |
| | | | REV. -- |