

THE INFORMATION CONTAINED IN THIS DRAWING IS THE SOLE PROPERTY OF ABBOTT WORKHOLDING PRODUCTS. ANY REPRODUCTION IN PART OR WHOLE WITHOUT THE WRITTEN PERMISSION OF ABBOTT WORKHOLDING PRODUCTS IS PROHIBITED.

.275 TYP.
.250
Slot Depth

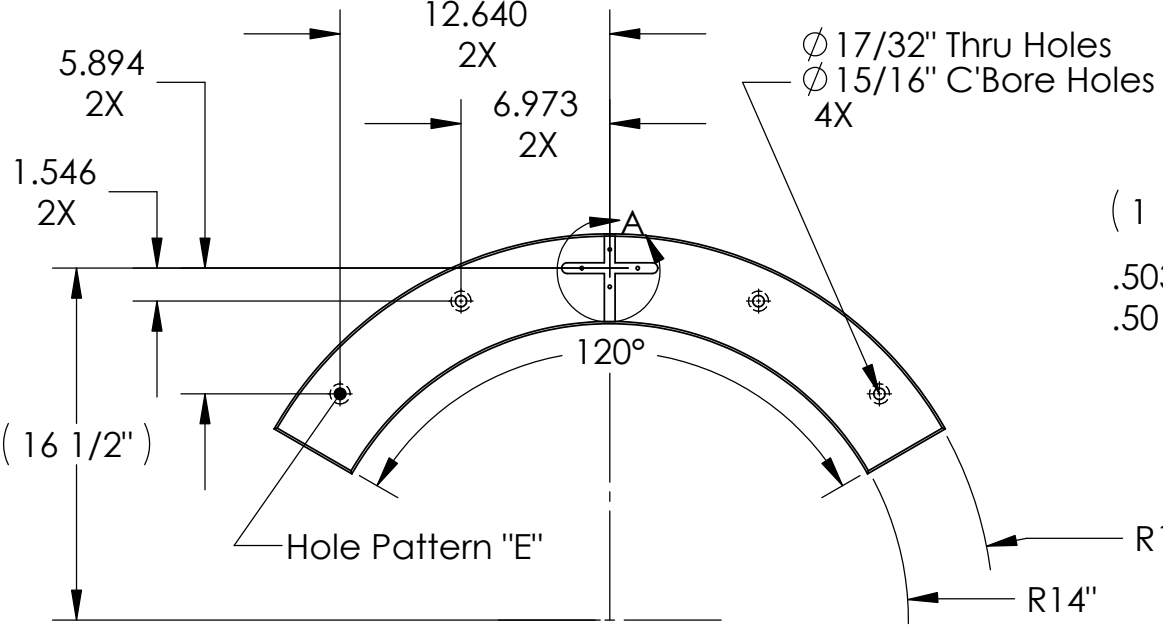
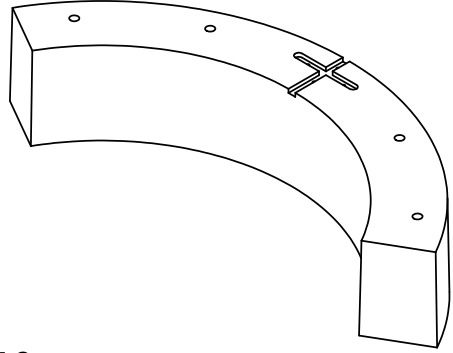
6" MIN

1° TYP.

Machined On Narrow Side of Draft

1" C'Bore Wall

(31 11/64")



Ø 17/32" Thru Holes
Ø 15/16" C'Bore Holes
4X

1.312 TYP.

.503
.501

R1/4" TYP.

(1 1/2")
.503
.501

.875 TYP.

4"

10-32 x 1/2" ∇
4X

DETAIL A

UNLESS OTHERWISE SPECIFIED
DIMENSIONS ARE IN INCHES
TOLERANCES ARE:
FRACTIONS DECIMALS ANGLES
± 1/32 .XX ± .015 ± 5°
.XXX ± .005
.XXXX ± .0005

Abbott Workholding Products

430 McCall Road
Manhattan, KS 66502
785-776-8555
785-587-0004 Fax
800-528-6459

www.abbottworkholding.com
engineering@abbottworkholding.com

DRAWN TBJ	DATE 02/11/04
MATERIAL A319	WEIGHT(POUNDS) 82.1
STYLE O	DISPOSITION Released

CUSTOMER: Stock	SIZE A	Part Name 3628SP6	REV. C
--------------------	-----------	----------------------	-----------