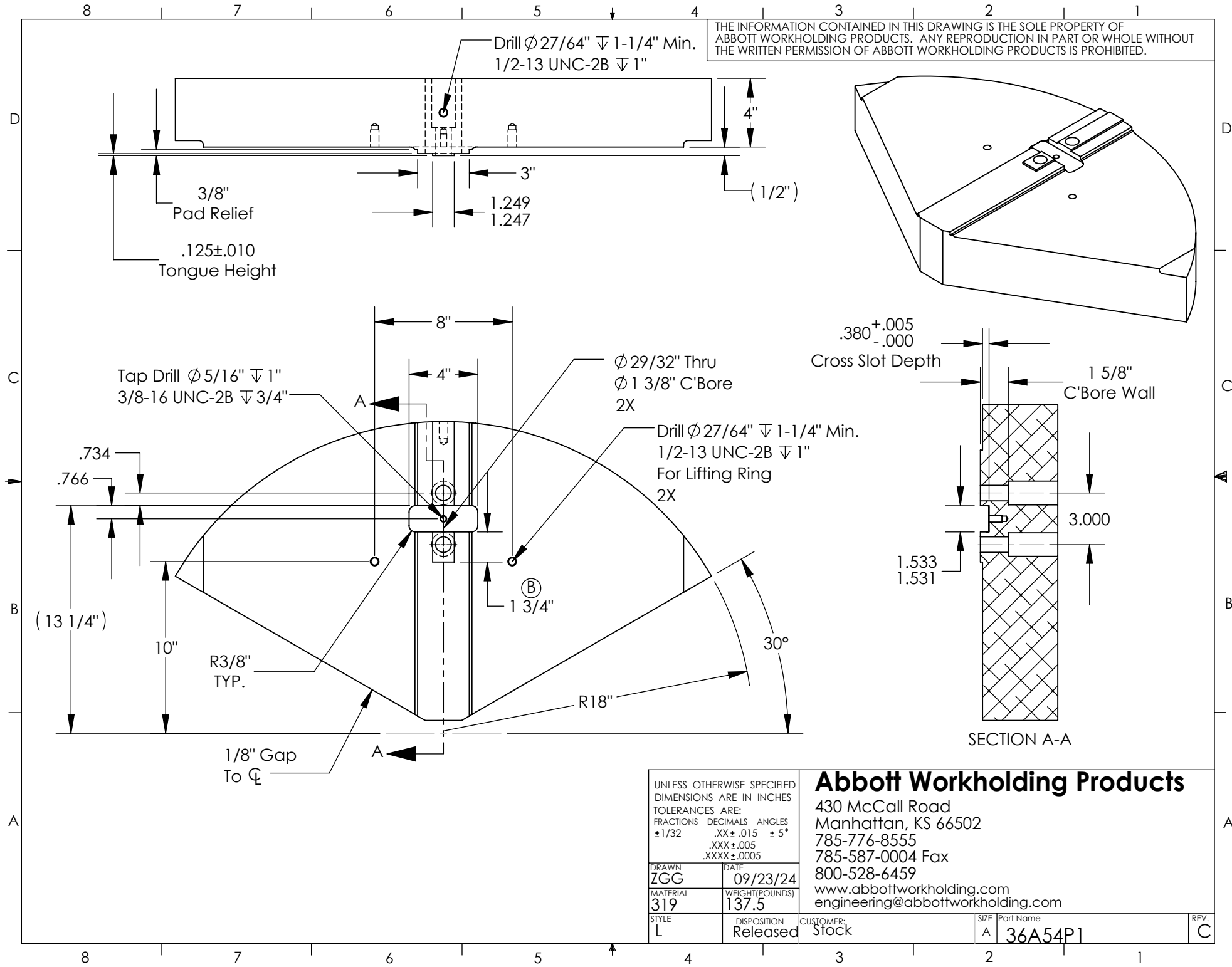


THE INFORMATION CONTAINED IN THIS DRAWING IS THE SOLE PROPERTY OF ABBOTT WORKHOLDING PRODUCTS. ANY REPRODUCTION IN PART OR WHOLE WITHOUT THE WRITTEN PERMISSION OF ABBOTT WORKHOLDING PRODUCTS IS PROHIBITED.



Drill  $\phi 27/64$ "  $\nabla 1-1/4$ " Min.  
1/2-13 UNC-2B  $\nabla 1$ "

3/8"  
Pad Relief  
.125 $\pm$ .010  
Tongue Height

Tap Drill  $\phi 5/16$ "  $\nabla 1$ "  
3/8-16 UNC-2B  $\nabla 3/4$ "

$\phi 29/32$ " Thru  
 $\phi 1 3/8$ " C'Bore  
2X

Drill  $\phi 27/64$ "  $\nabla 1-1/4$ " Min.  
1/2-13 UNC-2B  $\nabla 1$ "  
For Lifting Ring  
2X

.380 $^{+.005}$   
 $_{-.000}$   
Cross Slot Depth

1 5/8"  
C'Bore Wall

SECTION A-A

UNLESS OTHERWISE SPECIFIED  
DIMENSIONS ARE IN INCHES  
TOLERANCES ARE:  
FRACTIONS DECIMALS ANGLES  
 $\pm 1/32$  .XX  $\pm$  .015  $\pm 5^\circ$   
.XXX  $\pm$  .005  
.XXXX  $\pm$  .0005

**Abbott Workholding Products**

430 McCall Road  
Manhattan, KS 66502  
785-776-8555  
785-587-0004 Fax  
800-528-6459

www.abbottworkholding.com  
engineering@abbottworkholding.com

DRAWN ZGG	DATE 09/23/24
MATERIAL 319	WEIGHT(POUNDS) 137.5
STYLE L	DISPOSITION Released

CUSTOMER: Stock	SIZE Part Name A 36A54P1	REV. C
--------------------	-----------------------------	-----------