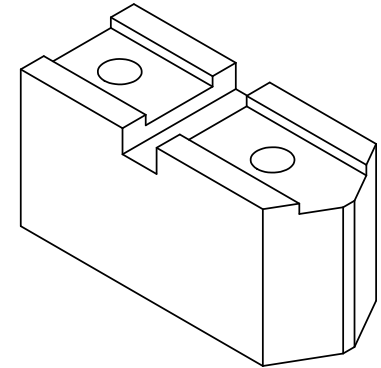
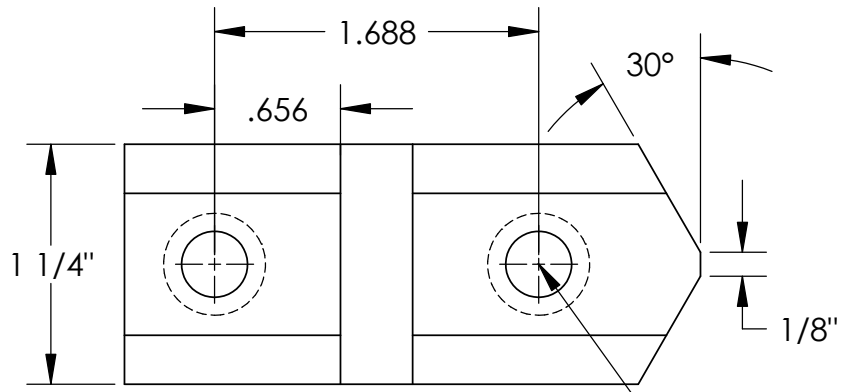
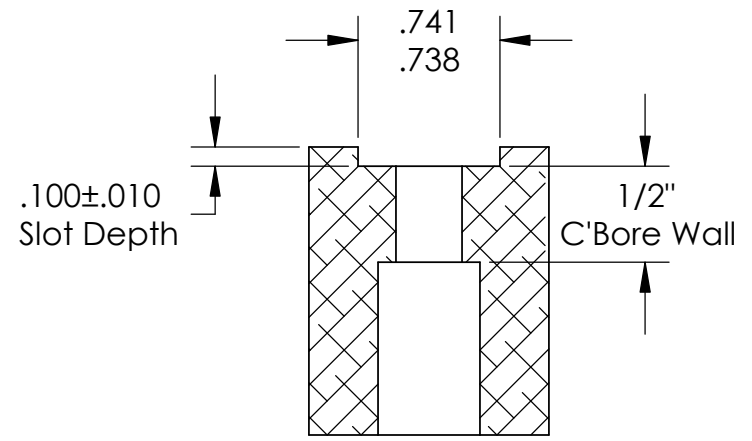
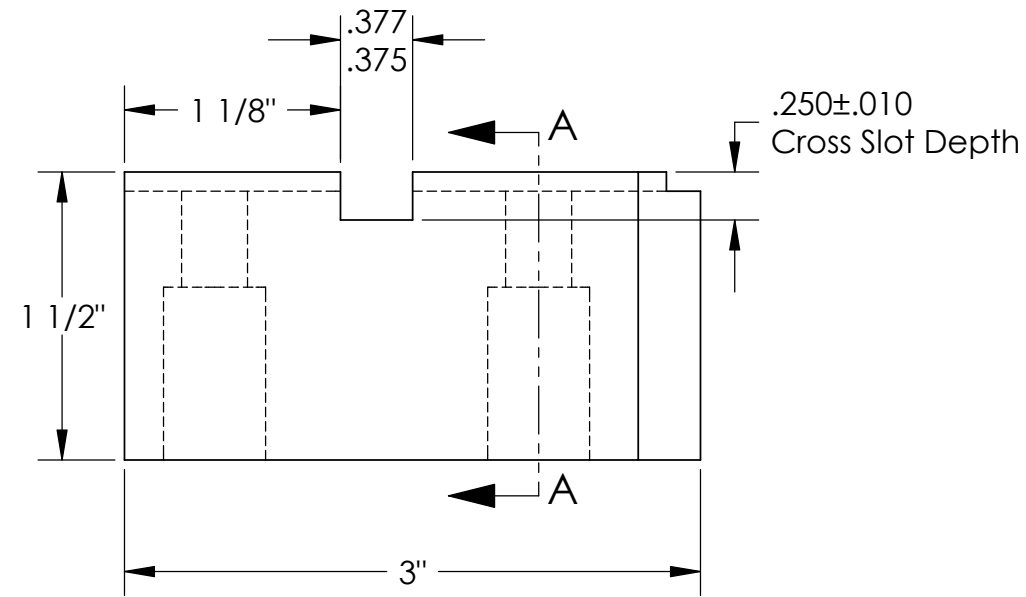


THE INFORMATION CONTAINED IN THIS DRAWING IS THE SOLE PROPERTY OF ABBOTT WORKHOLDING PRODUCTS. ANY REPRODUCTION IN PART OR WHOLE WITHOUT THE WRITTEN PERMISSION OF ABBOTT WORKHOLDING PRODUCTS IS PROHIBITED.



Ø 11/32" Thru  
Ø 17/32" C'bore  
2X



SECTION A-A

|  |                         |  |                        |
|--|-------------------------|--|------------------------|
| UNLESS OTHERWISE SPECIFIED<br>DIMENSIONS ARE IN INCHES<br>TOLERANCES ARE:<br>FRACTIONS DECIMALS ANGLES<br>±1/32 .XX±.015 ±5°<br>.XXX±.005<br>.XXXX±.0005 |                         | <b>Abbott Workholding Products</b><br>430 McCall Road<br>Manhattan, KS 66502<br>785-776-8555<br>785-587-0004 Fax<br>800-528-6459<br>www.abbottworkholding.com<br>engineering@abbottworkholding.com |                        |
| DRAWN<br>TBJ   | DATE<br>02/11/04        |  |                        |
| MATERIAL<br>6061   | WEIGHT(POUNDS)<br>0.5   |  |                        |
| STYLE<br>B   | DISPOSITION<br>Released | CUSTOMER:<br>Stock   | SIZE Part Name<br>A 6A |
|  |                         |  | REV.<br>B              |