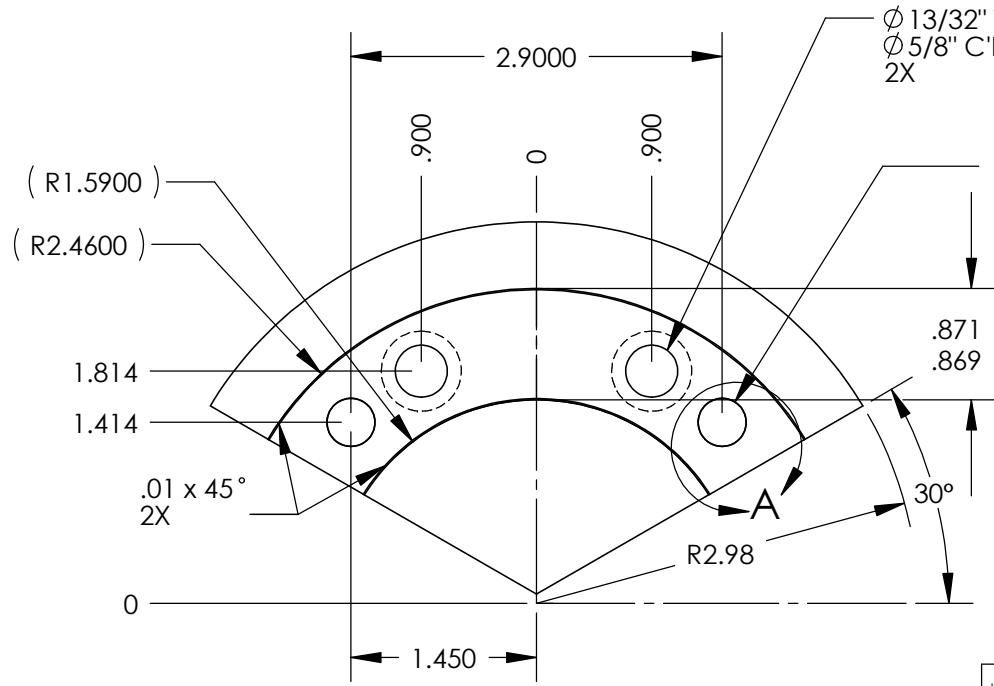
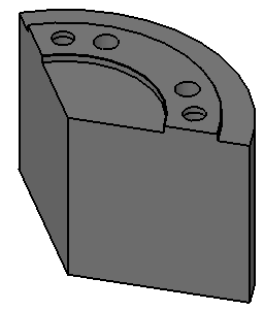
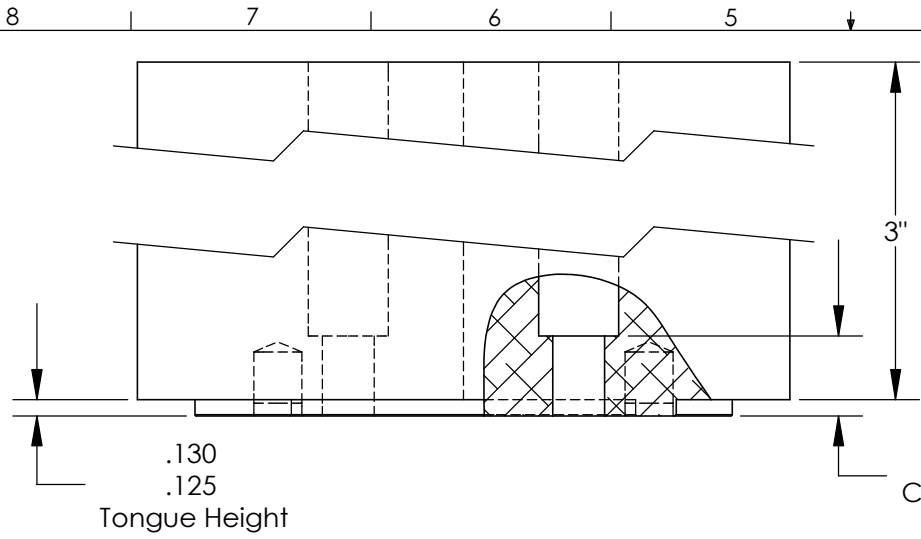


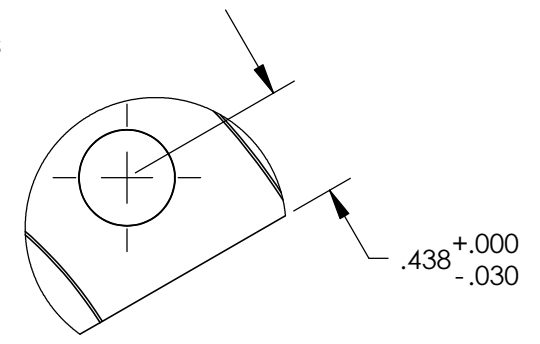
THE INFORMATION CONTAINED IN THIS DRAWING IS THE SOLE PROPERTY OF ABBOTT WORKHOLDING PRODUCTS. ANY REPRODUCTION IN PART OR WHOLE WITHOUT THE WRITTEN PERMISSION OF ABBOTT WORKHOLDING PRODUCTS IS PROHIBITED.



$\phi 13/32$ " Thru
 $\phi 5/8$ " C'Bore
 2X

Bore $\phi .3745$
 $.3740 \times .50 \nabla$

Ream $\phi .3755-.3765 \times .10 \nabla$
 Install $3/8$ " x $3/4$ " Dowel Pins
 2X



DETAIL A

UNLESS OTHERWISE SPECIFIED DIMENSIONS ARE IN INCHES TOLERANCES ARE: FRACTIONS DECIMALS ANGLES $\pm 1/32$.XX $\pm .015$ $\pm 5^\circ$.XXX $\pm .005$.XXXX $\pm .0005$	
DRAWN TBJ	DATE 02/23/10
MATERIAL 6061	WEIGHT(POUNDS) 2.5
STYLE O	DISPOSITION Released

Abbott Workholding Products

430 McCall Road
 Manhattan, KS 66502
 785-776-8555
 785-587-0004 Fax
 800-528-6459
 www.abbottworkholding.com
 engineering@abbottworkholding.com

CUSTOMER: Stock	SIZE A	Part Name 6SP3M-P	REV. --
--------------------	-----------	----------------------	------------