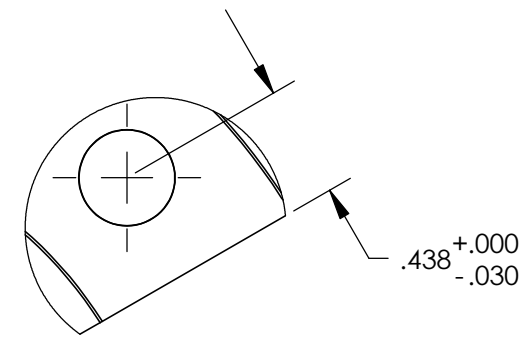
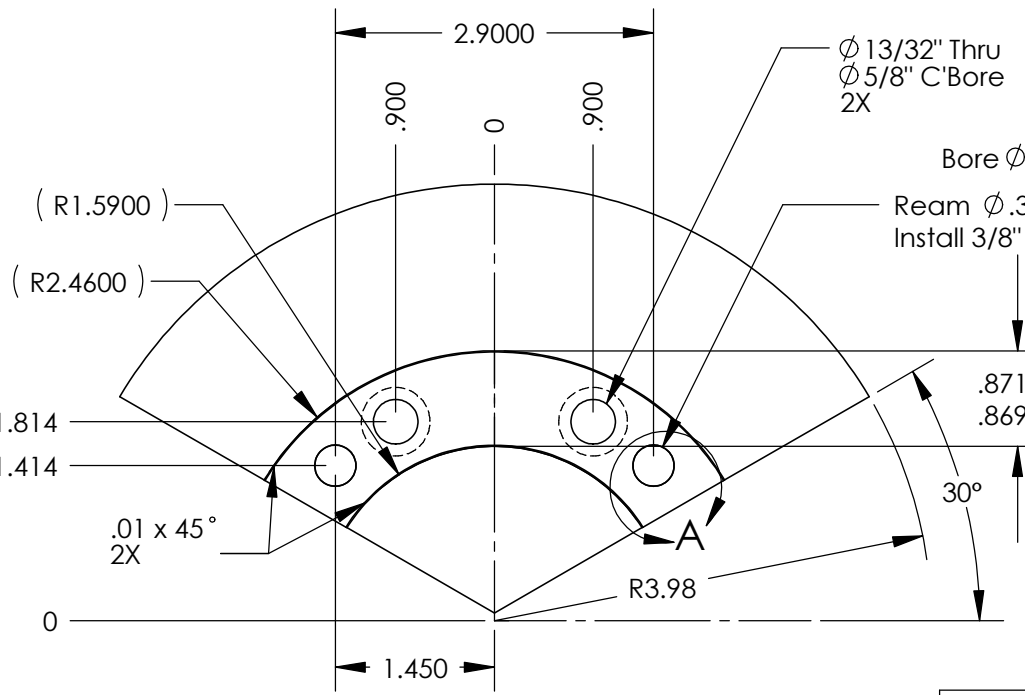
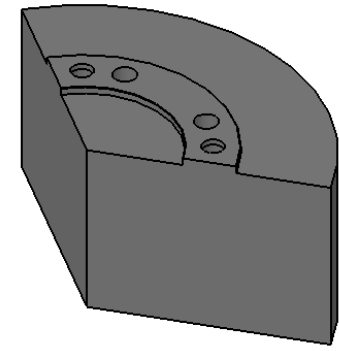
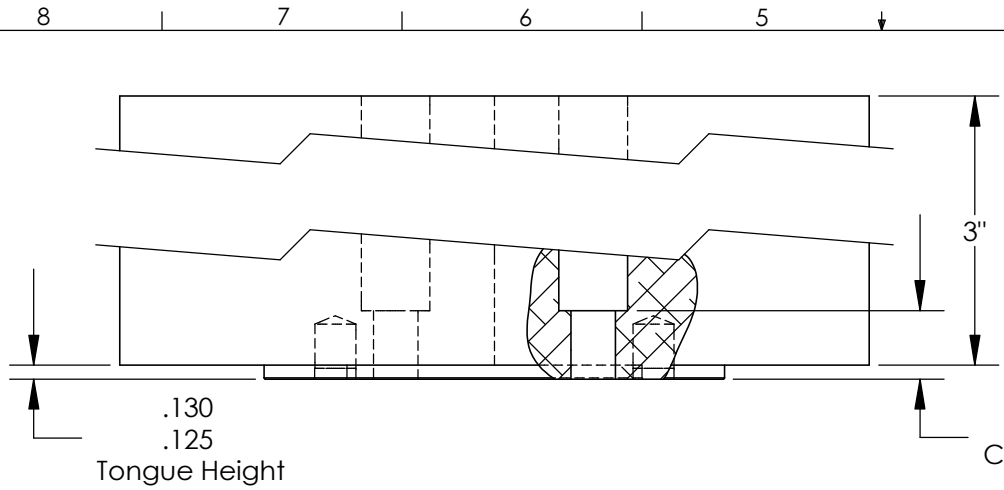


THE INFORMATION CONTAINED IN THIS DRAWING IS THE SOLE PROPERTY OF ABBOTT WORKHOLDING PRODUCTS. ANY REPRODUCTION IN PART OR WHOLE WITHOUT THE WRITTEN PERMISSION OF ABBOTT WORKHOLDING PRODUCTS IS PROHIBITED.



UNLESS OTHERWISE SPECIFIED DIMENSIONS ARE IN INCHES TOLERANCES ARE:	
FRACTIONS	DECIMALS ANGLES
$\pm 1/32$.XX $\pm .015$ $\pm 5^\circ$
	.XXX $\pm .005$
	.XXXX $\pm .0005$
DRAWN	DATE
ZGG	09/15/17
MATERIAL	WEIGHT(POUNDS)
6061	4.6
STYLE	DISPOSITION
O	Quote

Abbott Workholding Products

430 McCall Road
 Manhattan, KS 66502
 785-776-8555
 785-587-0004 Fax
 800-528-6459
www.abbottworkholding.com
engineering@abbottworkholding.com

CUSTOMER:	Part Name	REV.
Stock	A 8SP3M-P	--