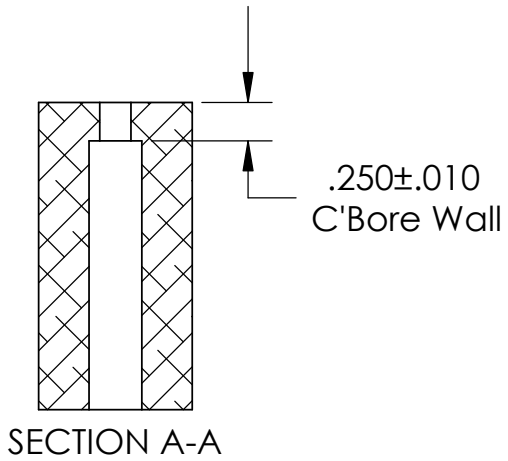
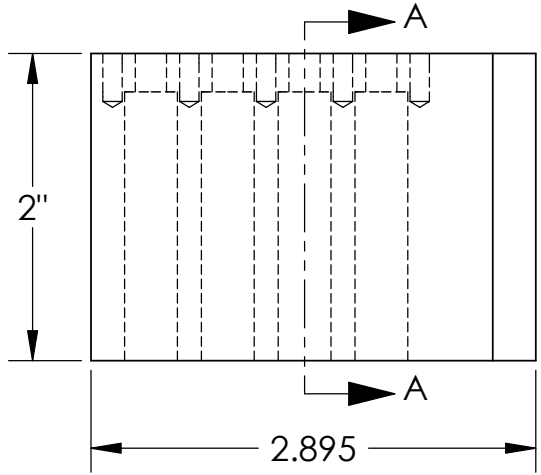
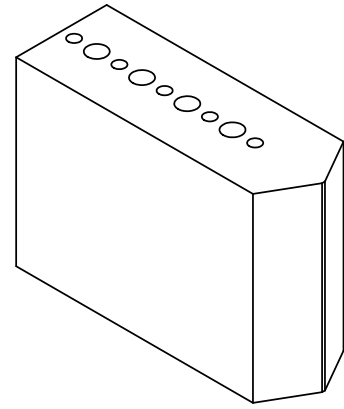
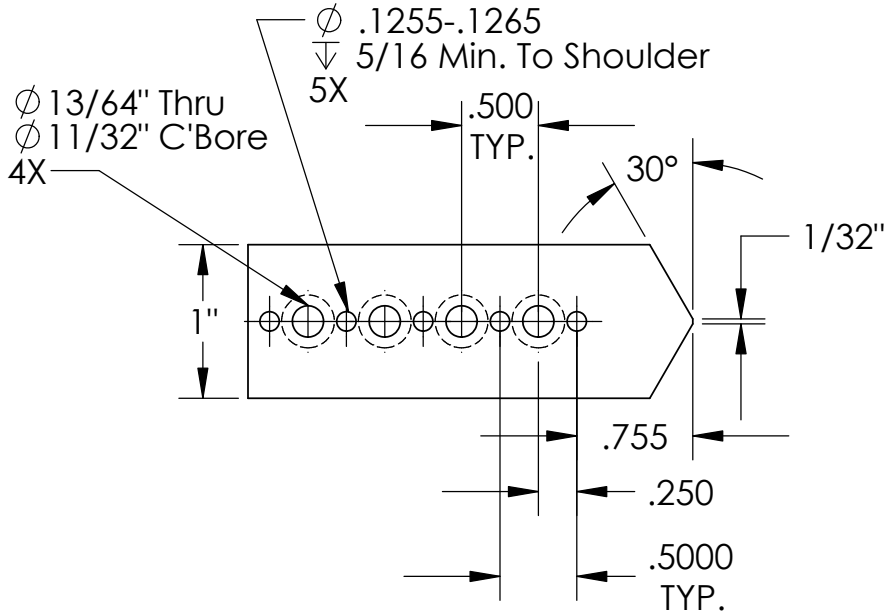


THE INFORMATION CONTAINED IN THIS DRAWING IS THE SOLE PROPERTY OF ABBOTT WORKHOLDING PRODUCTS. ANY REPRODUCTION IN PART OR WHOLE WITHOUT THE WRITTEN PERMISSION OF ABBOTT WORKHOLDING PRODUCTS IS PROHIBITED.



UNLESS OTHERWISE SPECIFIED DIMENSIONS ARE IN INCHES		Abbott Workholding Products 430 McCall Road Manhattan, KS 66502 785-776-8555 785-587-0004 Fax 800-528-6459 www.abbottworkholding.com engineering@abbottworkholding.com	
TOLERANCES ARE:			
FRACTIONS	DECIMALS ANGLES		
±1/32	.XX±.015 ±5°	DRAWN MC	
	.XXX±.005	DATE 06/11/03	
	.XXXX±.0005	MATERIAL 2024	
		WEIGHT(POUNDS) 0.5	
STYLE R	DISPOSITION Released	CUSTOMER: Stock	SIZE Part Name A AL162
			REV. --