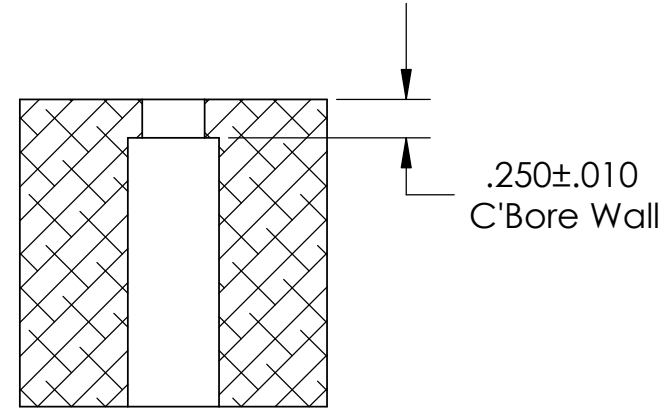
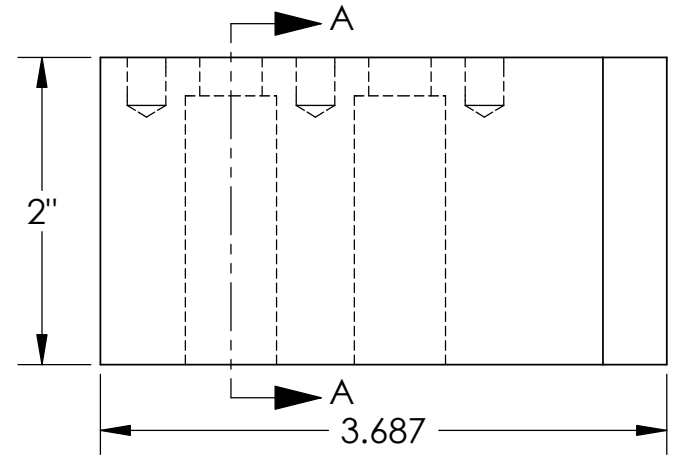
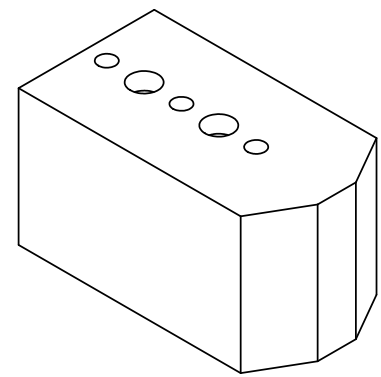
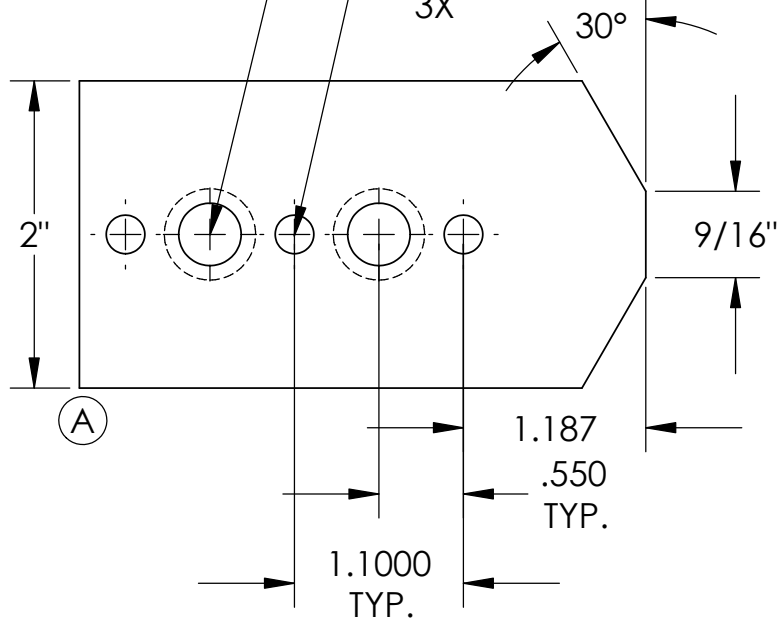


THE INFORMATION CONTAINED IN THIS DRAWING IS THE SOLE PROPERTY OF ABBOTT WORKHOLDING PRODUCTS. ANY REPRODUCTION IN PART OR WHOLE WITHOUT THE WRITTEN PERMISSION OF ABBOTT WORKHOLDING PRODUCTS IS PROHIBITED.

ϕ 13/32" Thru
 ϕ 19/32" C'Bore
 2X

ϕ .2505-.2515
 ∇ 5/16 Min. To Shoulder
 3X



SECTION A-A

UNLESS OTHERWISE SPECIFIED DIMENSIONS ARE IN INCHES TOLERANCES ARE: FRACTIONS DECIMALS ANGLES $\pm 1/32$.XX \pm .015 $\pm 5^\circ$.XXX \pm .005 .XXXX \pm .0005		Abbott Workholding Products 430 McCall Road Manhattan, KS 66502 785-776-8555 785-587-0004 Fax 800-528-6459 www.abbottworkholding.com engineering@abbottworkholding.com	
DRAWN DSW	DATE 05/15/00	CUSTOMER: Stock	
MATERIAL 2024	WEIGHT(POUNDS) 1.4		
STYLE R	DISPOSITION Released	SIZE A	Part Name AL182
			REV. --

