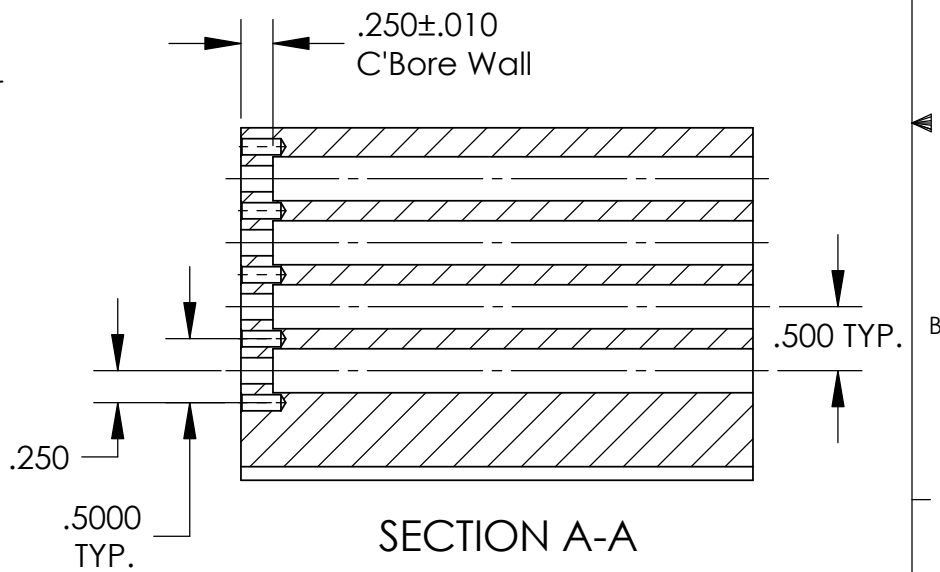
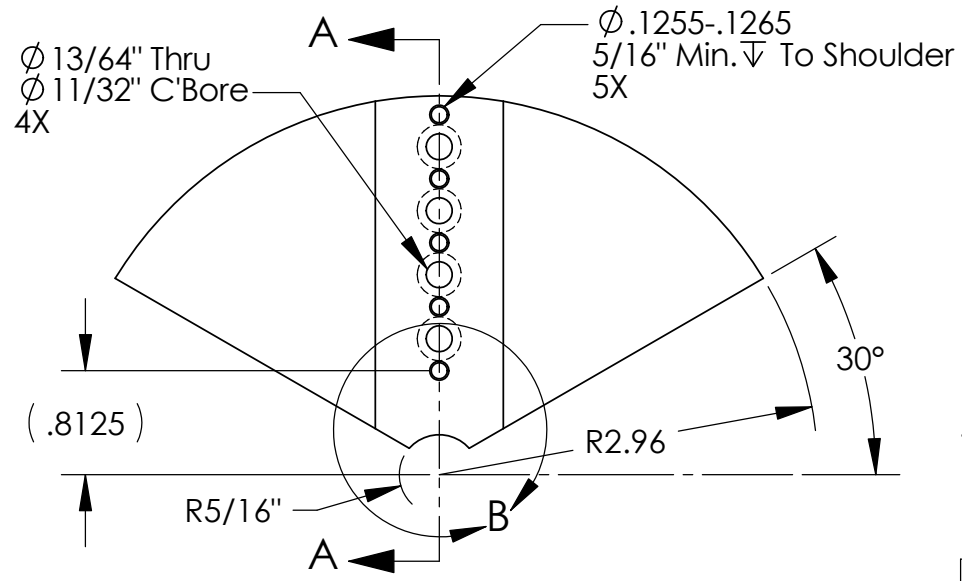
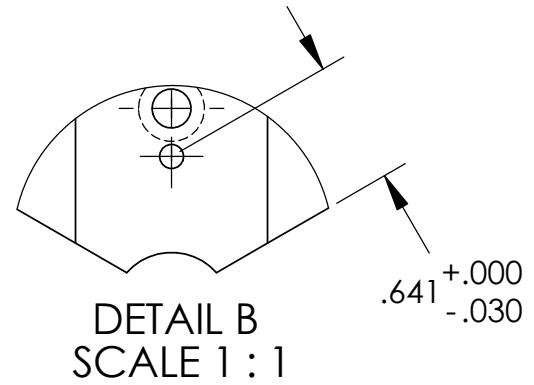
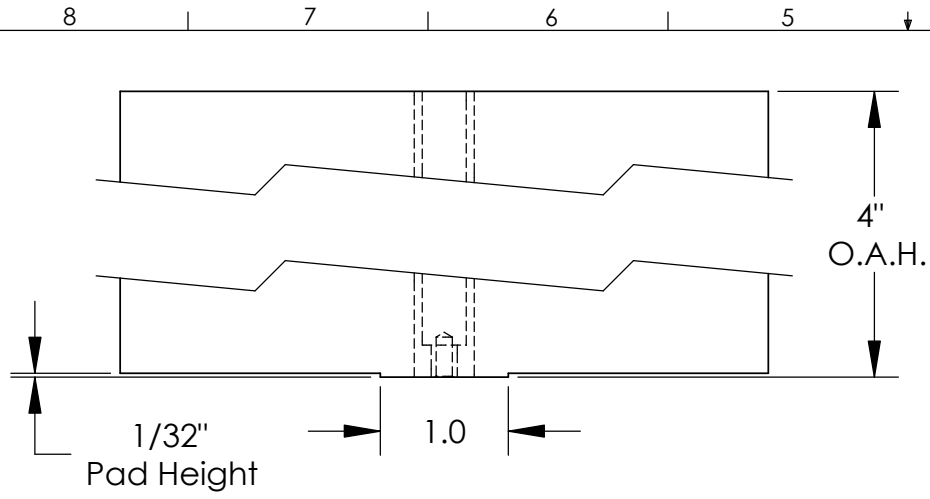


THE INFORMATION CONTAINED IN THIS DRAWING IS THE SOLE PROPERTY OF ABBOTT WORKHOLDING PRODUCTS. ANY REPRODUCTION IN PART OR WHOLE WITHOUT THE WRITTEN PERMISSION OF ABBOTT WORKHOLDING PRODUCTS IS PROHIBITED.



UNLESS OTHERWISE SPECIFIED DIMENSIONS ARE IN INCHES	
TOLERANCES ARE:	
FRACTIONS	DECIMALS ANGLES
±1/32	.XX ± .015 ± 5°
	.XXX ± .005
	.XXXX ± .0005
DRAWN	DATE
TBJ	08/05/05
MATERIAL	WEIGHT (POUNDS)
2024	3.4
STYLE	DISPOSITION
M	Released

Abbott Workholding Products
 430 McCall Road
 Manhattan, KS 66502
 785-776-8555
 785-587-0004 Fax
 800-528-6459
 www.abbottworkholding.com
 engineering@abbottworkholding.com

SIZE	Part Name	REV.
A	AL364	--

D
C
B
A

D
C
B
A

8 7 6 5 4 3 2 1