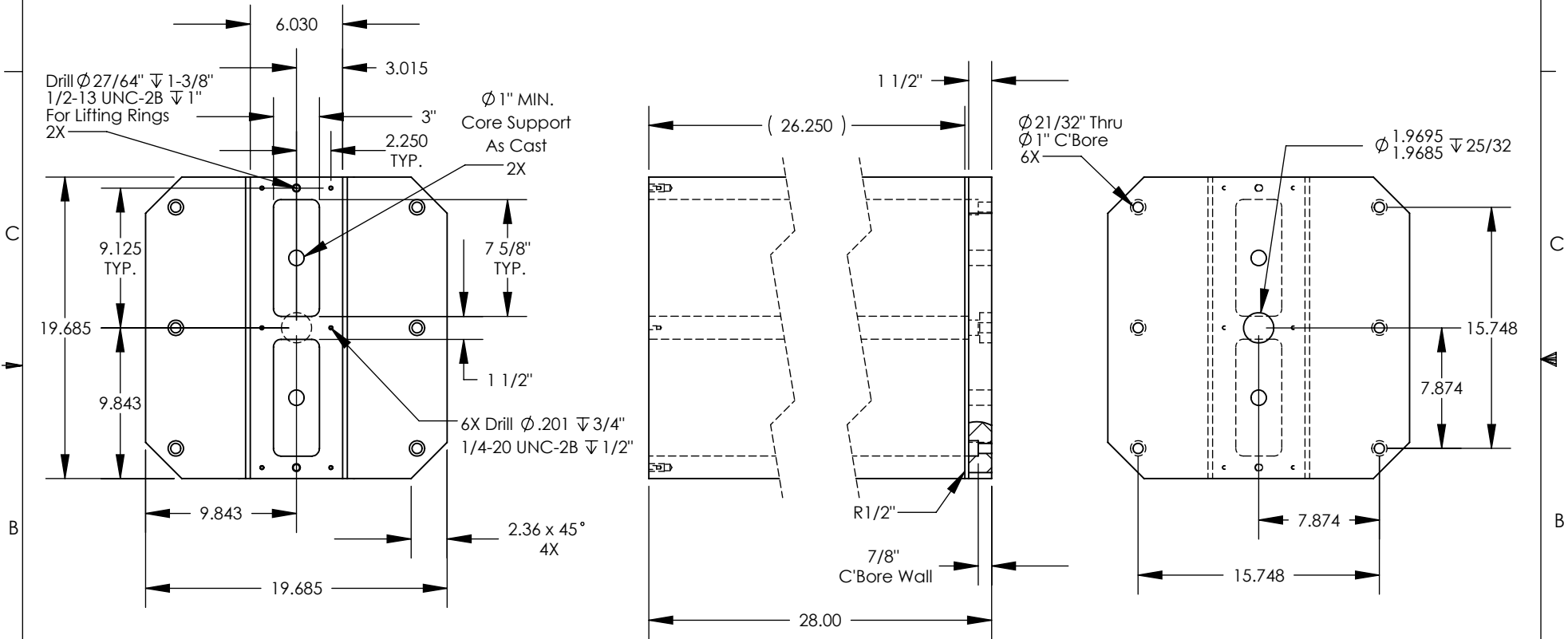


NOTES: Unless otherwise specified.

1. Machined surfaces  $\perp$  .001 in 12" // .002 in 12"  $\square$  .001 in 12"
2. Deburr and break all sharp edges.

THE INFORMATION CONTAINED IN THIS DRAWING IS THE SOLE PROPERTY OF ABBOTT WORKHOLDING PRODUCTS. ANY REPRODUCTION IN PART OR WHOLE WITHOUT THE WRITTEN PERMISSION OF ABBOTT WORKHOLDING PRODUCTS IS PROHIBITED.

**Includes D620TP Top Plate And (2) Lifting Rings Installed**



UNLESS OTHERWISE SPECIFIED DIMENSIONS ARE IN INCHES TOLERANCES ARE:	
FRACTIONS	DECIMALS ANGLES
$\pm 1/32$	.XX $\pm$ .015 $\pm 5^\circ$
	.XXX $\pm$ .005
	.XXXX $\pm$ .0005
DRAWN	DATE
ZGG	01/17/20
MATERIAL	WEIGHT(POUNDS)
713	255.4
STYLE	DISPOSITION
TC	Released

**Abbott Workholding Products**

430 McCall Road  
 Manhattan, KS 66502  
 785-776-8555  
 785-587-0004 Fax  
 800-528-6459  
 www.abbottworkholding.com  
 engineering@abbottworkholding.com

CUSTOMER:	SIZE	Part Name	REV.
Stock	A	D62028-500DIN	A