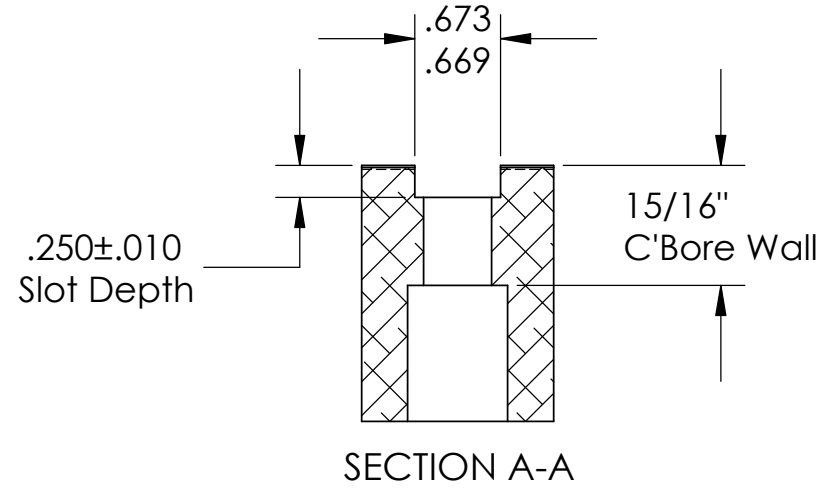
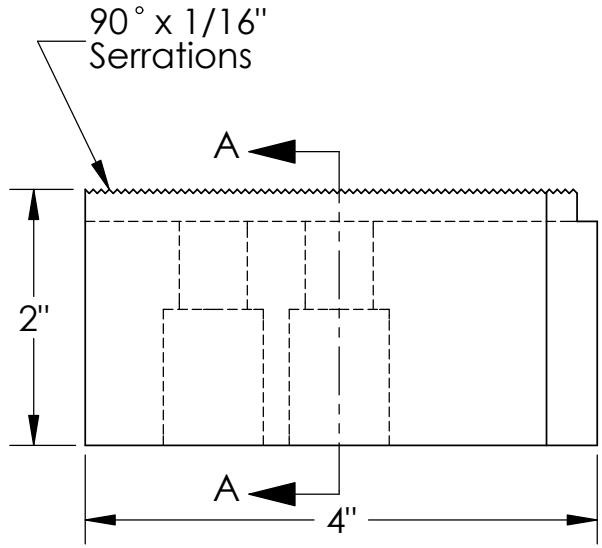
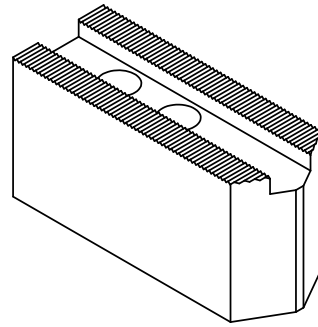
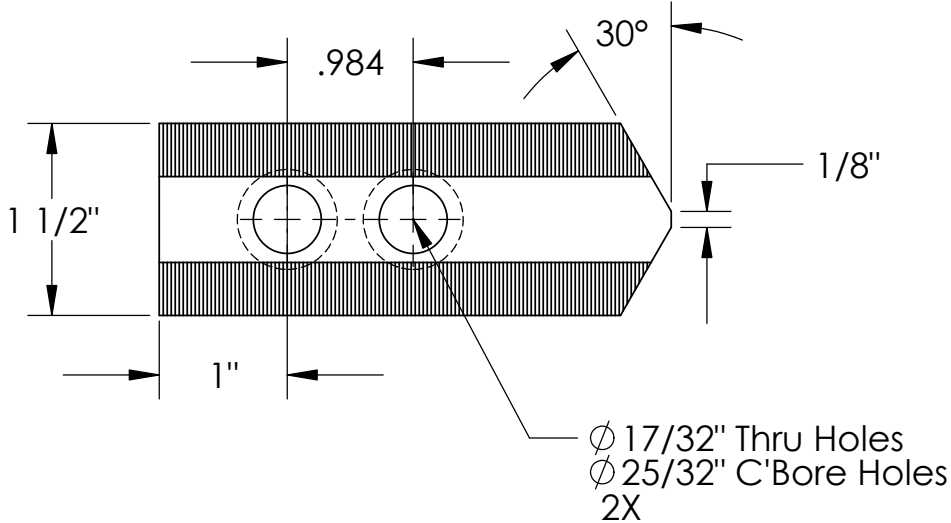


THE INFORMATION CONTAINED IN THIS DRAWING IS THE SOLE PROPERTY OF ABBOTT WORKHOLDING PRODUCTS. ANY REPRODUCTION IN PART OR WHOLE WITHOUT THE WRITTEN PERMISSION OF ABBOTT WORKHOLDING PRODUCTS IS PROHIBITED.



UNLESS OTHERWISE SPECIFIED DIMENSIONS ARE IN INCHES TOLERANCES ARE: FRACTIONS DECIMALS ANGLES $\pm 1/32$.XX $\pm .015$ $\pm 5^\circ$.XXX $\pm .005$.XXXX $\pm .0005$		Abbott Workholding Products 430 McCall Road Manhattan, KS 66502 785-776-8555 785-587-0004 Fax 800-528-6459 www.abbottworkholding.com engineering@abbottworkholding.com	
DRAWN Ahh	DATE 5/4/06	CUSTOMER: Stock	
MATERIAL 1018	WEIGHT (POUNDS) 2.7		
STYLE J	DISPOSITION Released	SIZE A	Part Name HOW12MA8S
			REV. C