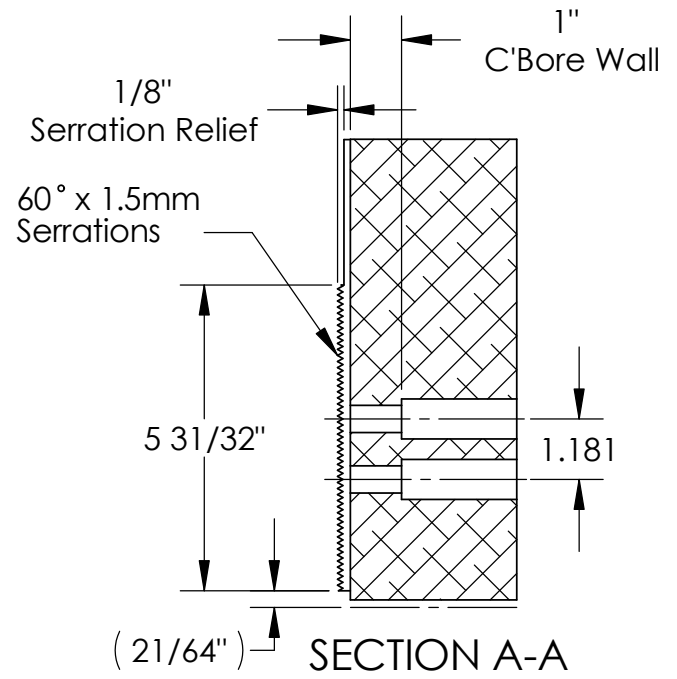
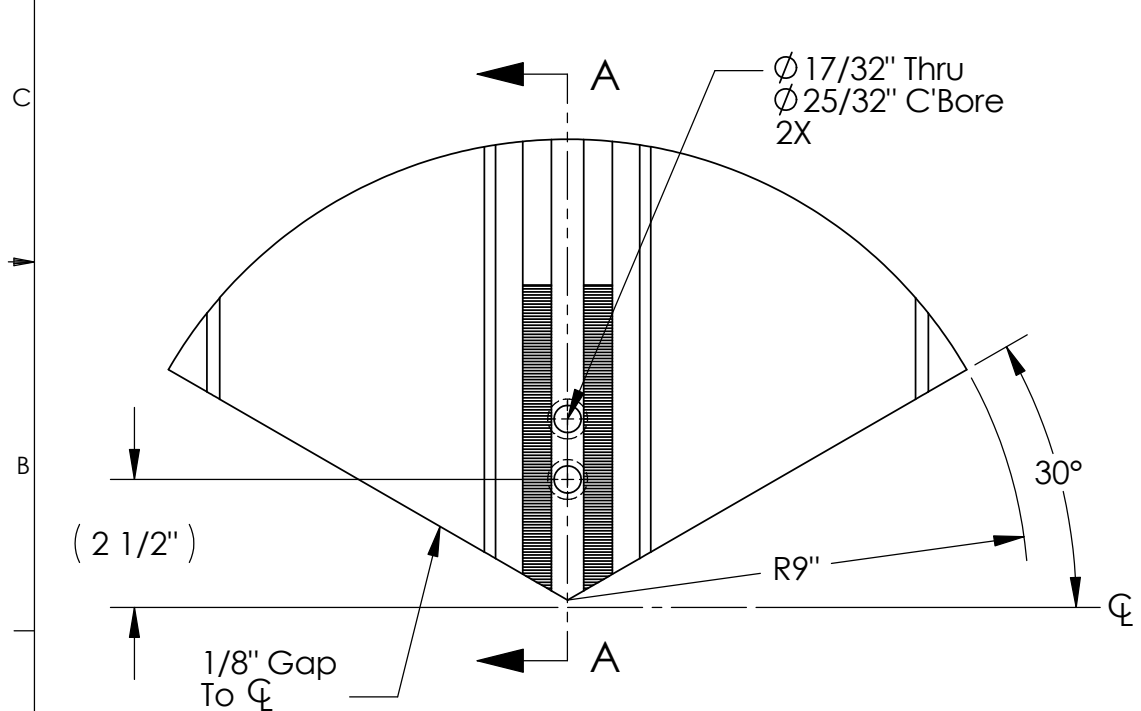
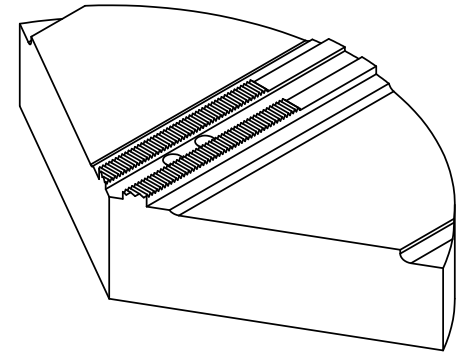
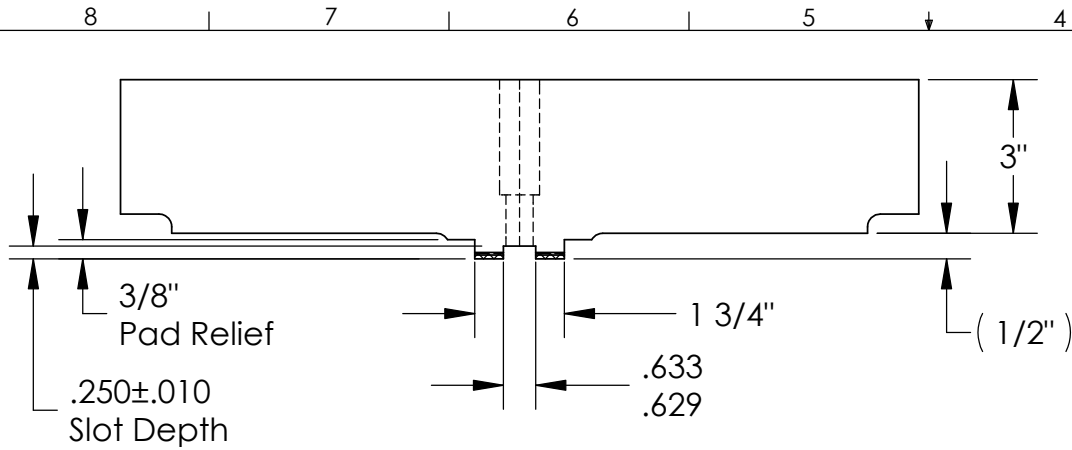


THE INFORMATION CONTAINED IN THIS DRAWING IS THE SOLE PROPERTY OF ABBOTT WORKHOLDING PRODUCTS. ANY REPRODUCTION IN PART OR WHOLE WITHOUT THE WRITTEN PERMISSION OF ABBOTT WORKHOLDING PRODUCTS IS PROHIBITED.



| | | | | | | |
|-----------------------------------------------------|----------|----------------------------------------------------------------------------------------------------------------------------------------------------------------------------------------------------|----------------|-------------|-----------|------|
| UNLESS OTHERWISE SPECIFIED DIMENSIONS ARE IN INCHES | | Abbott Workholding Products 430 McCall Road Manhattan, KS 66502 785-776-8555 785-587-0004 Fax 800-528-6459 www.abbottworkholding.com engineering@abbottworkholding.com | | SIZE | Part Name | REV. |
| TOLERANCES ARE: | | | | | | |
| FRACTIONS | DECIMALS | | | | | |
| ±1/32 | .XX±.015 | ±5° | A | | KTT1810P | -- |
| DRAWN | DATE | MATERIAL | WEIGHT(POUNDS) | DISPOSITION | CUSTOMER: | |
| TBJ | 03/04/04 | A319 | 26.1 | Released | Stock | |
| STYLE | Q | | | | | |