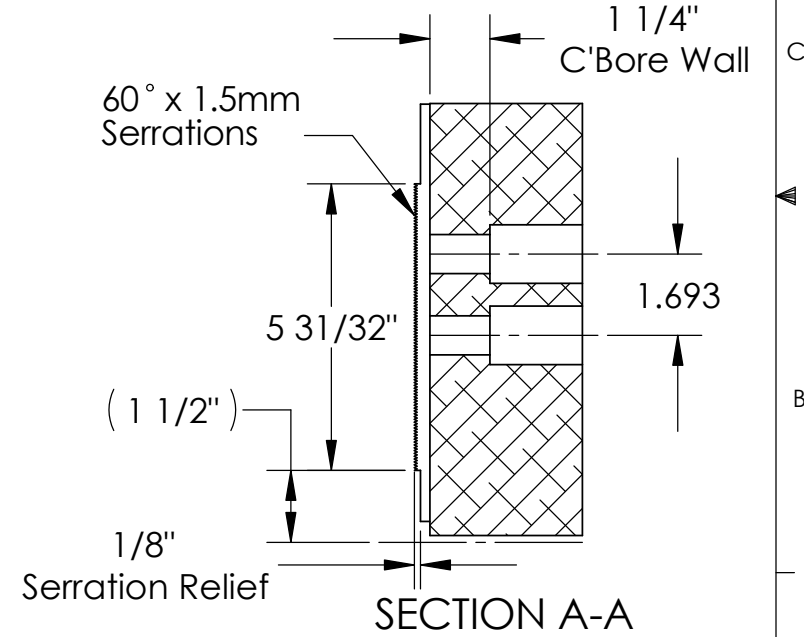
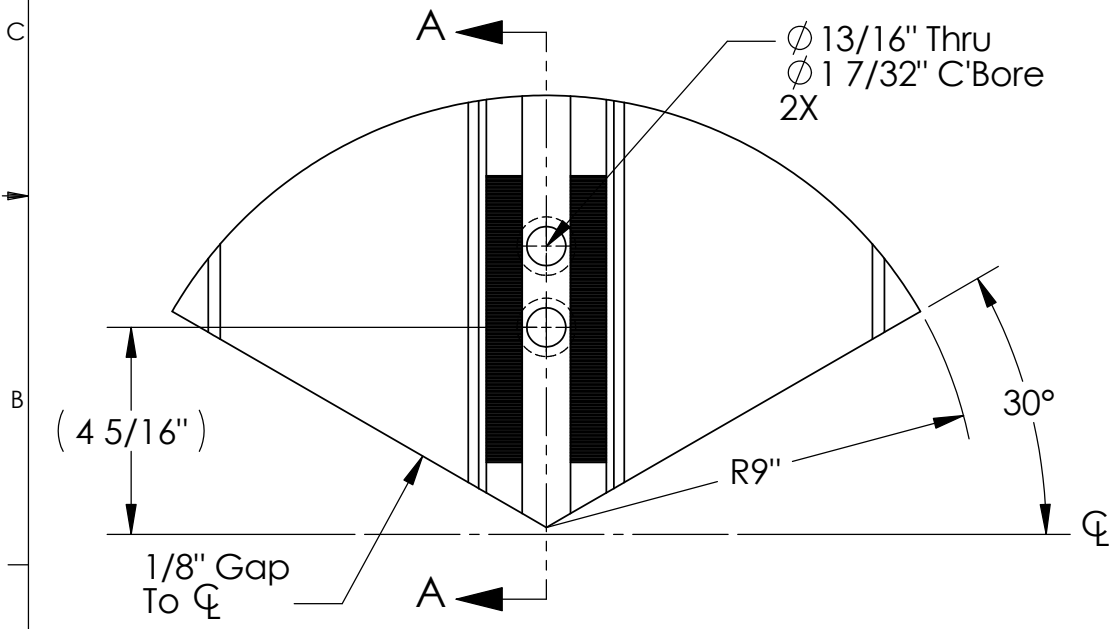
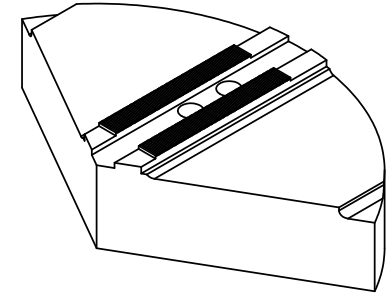
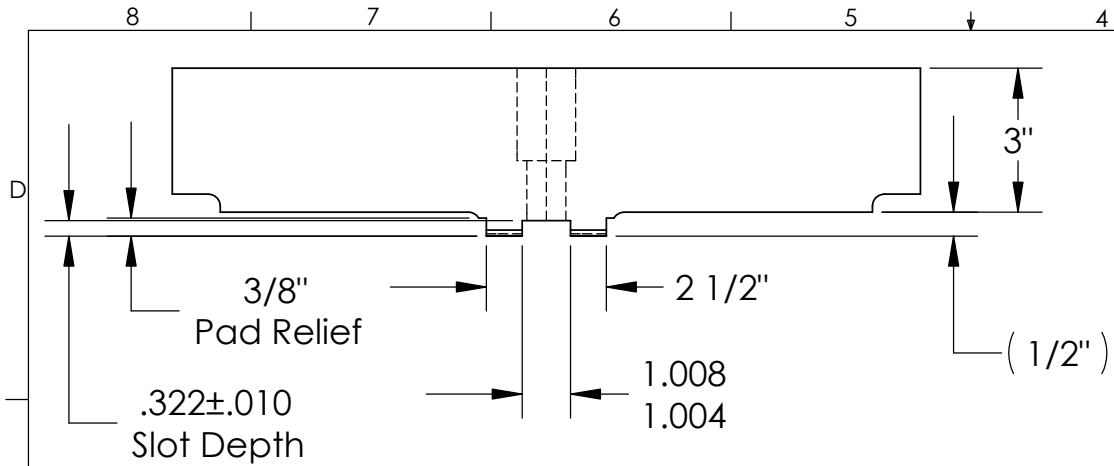


THE INFORMATION CONTAINED IN THIS DRAWING IS THE SOLE PROPERTY OF ABBOTT WORKHOLDING PRODUCTS. ANY REPRODUCTION IN PART OR WHOLE WITHOUT THE WRITTEN PERMISSION OF ABBOTT WORKHOLDING PRODUCTS IS PROHIBITED.



|   |                 |
|---|-----------------|
| UNLESS OTHERWISE SPECIFIED DIMENSIONS ARE IN INCHES |                 |
| TOLERANCES ARE:                                     |                 |
| FRACTIONS   | DECIMALS ANGLES |
| ±1/32   | .XX±.015 ±5°    |
|   | .XXX±.005       |
|   | .XXXX±.0005     |
| DRAWN   | DATE            |
| TBJ   | 04/11/06        |
| MATERIAL  | WEIGHT (POUNDS) |
| A319  | 25.9            |
| STYLE   | DISPOSITION     |
| Q   | Released        |

**Abbott Workholding Products**  
 430 McCall Road  
 Manhattan, KS 66502  
 785-776-8555  
 785-587-0004 Fax  
 800-528-6459  
 www.abbottworkholding.com  
 engineering@abbottworkholding.com

|           |      |            |      |
|-----------|------|------------|------|
| CUSTOMER: | SIZE | Part Name  | REV. |
| Stock     | A    | KTT18B215P | --   |