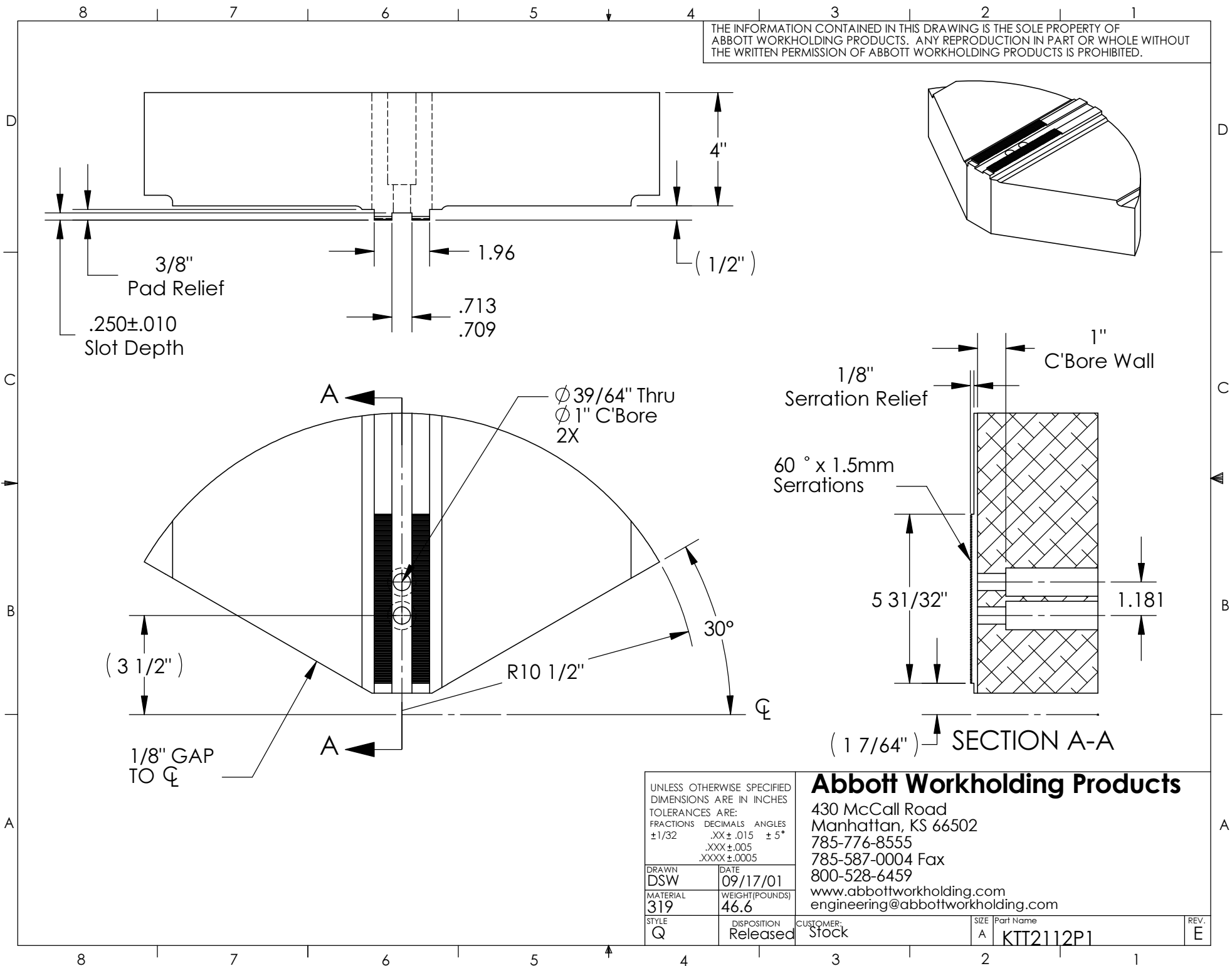


THE INFORMATION CONTAINED IN THIS DRAWING IS THE SOLE PROPERTY OF ABBOTT WORKHOLDING PRODUCTS. ANY REPRODUCTION IN PART OR WHOLE WITHOUT THE WRITTEN PERMISSION OF ABBOTT WORKHOLDING PRODUCTS IS PROHIBITED.



UNLESS OTHERWISE SPECIFIED
 DIMENSIONS ARE IN INCHES
 TOLERANCES ARE:
 FRACTIONS DECIMALS ANGLES
 ±1/32 .XX±.015 ±5°
 .XXX±.005
 .XXXX±.0005

DRAWN	DATE
DSW	09/17/01
MATERIAL	WEIGHT(POUNDS)
319	46.6
STYLE	DISPOSITION
Q	Released

Abbott Workholding Products

430 McCall Road
 Manhattan, KS 66502
 785-776-8555
 785-587-0004 Fax
 800-528-6459

www.abbottworkholding.com
 engineering@abbottworkholding.com

CUSTOMER:	SIZE	Part Name	REV.
Stock	A	KTT2112P1	E