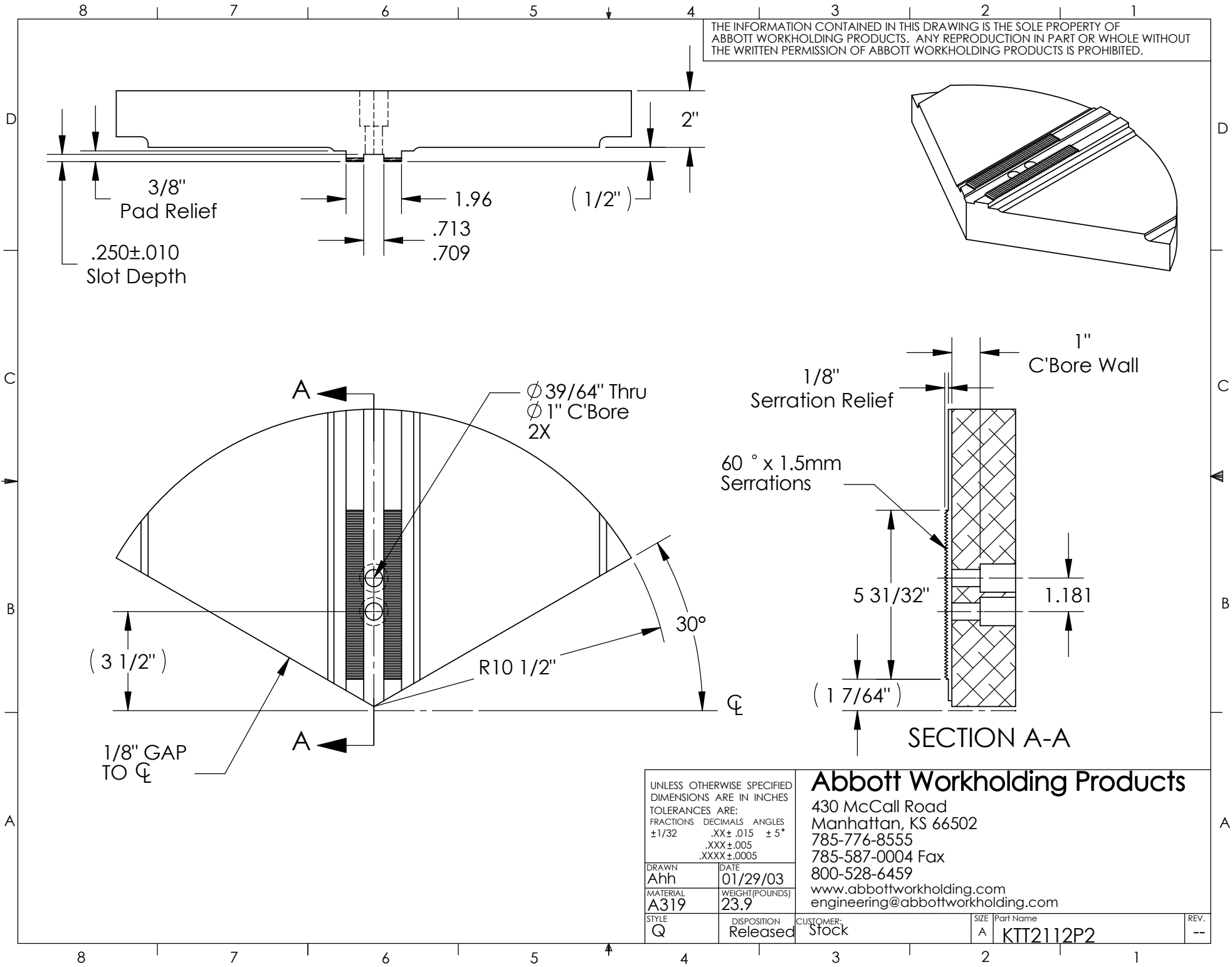


THE INFORMATION CONTAINED IN THIS DRAWING IS THE SOLE PROPERTY OF ABBOTT WORKHOLDING PRODUCTS. ANY REPRODUCTION IN PART OR WHOLE WITHOUT THE WRITTEN PERMISSION OF ABBOTT WORKHOLDING PRODUCTS IS PROHIBITED.



UNLESS OTHERWISE SPECIFIED DIMENSIONS ARE IN INCHES
TOLERANCES ARE:

FRACTIONS	DECIMALS	ANGLES
±1/32	.XX±.015	±5°
	.XXX±.005	
	.XXXX±.0005	

DRAWN	DATE				
Ahh	01/29/03				
MATERIAL	WEIGHT(POUNDS)				
A319	23.9				
STYLE	DISPOSITION	CUSTOMER:	SIZE	Part Name	REV.
Q	Released	Stock	A	KTT2112P2	--

Abbott Workholding Products
 430 McCall Road
 Manhattan, KS 66502
 785-776-8555
 785-587-0004 Fax
 800-528-6459
 www.abbottworkholding.com
 engineering@abbottworkholding.com