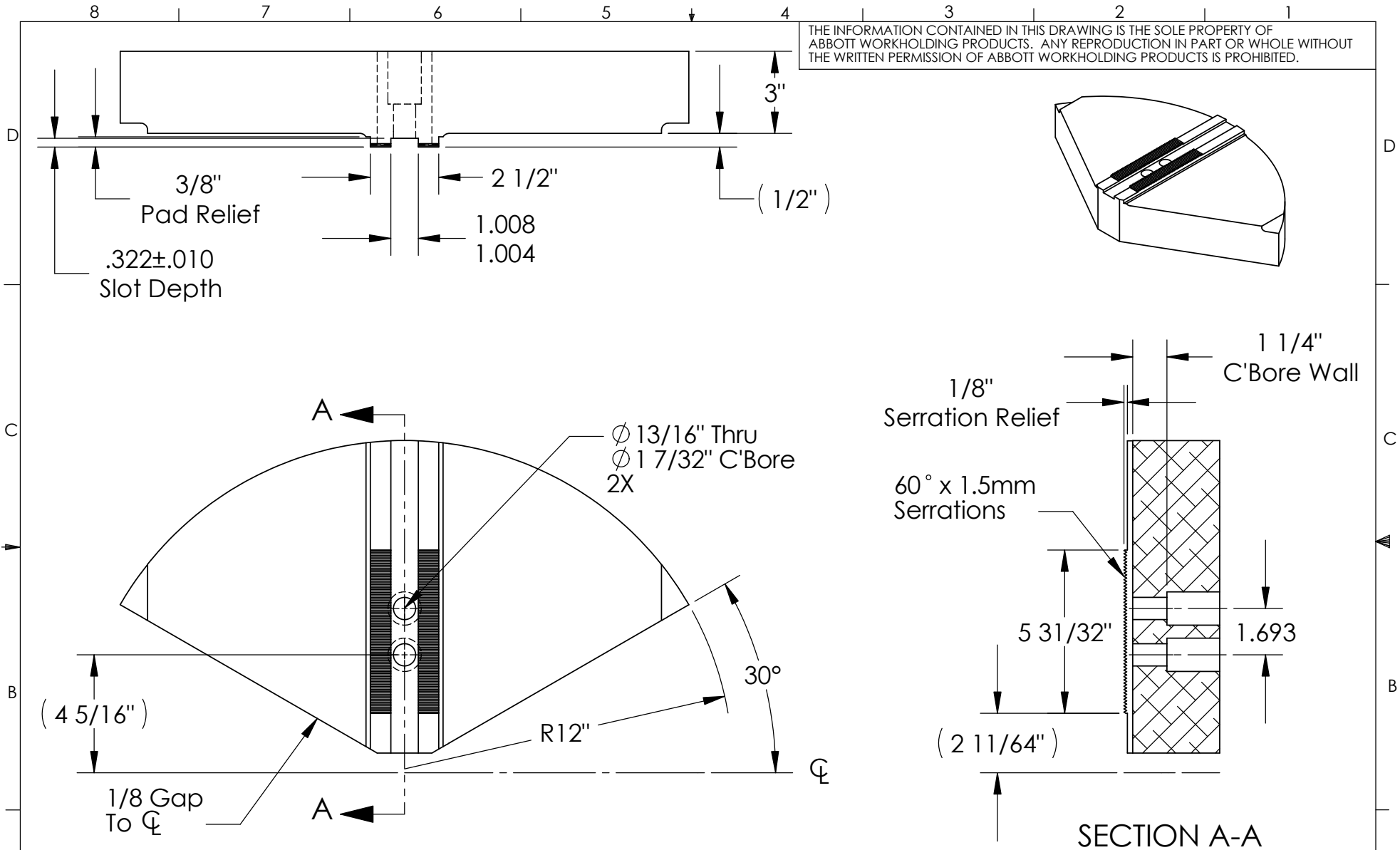


THE INFORMATION CONTAINED IN THIS DRAWING IS THE SOLE PROPERTY OF ABBOTT WORKHOLDING PRODUCTS. ANY REPRODUCTION IN PART OR WHOLE WITHOUT THE WRITTEN PERMISSION OF ABBOTT WORKHOLDING PRODUCTS IS PROHIBITED.



UNLESS OTHERWISE SPECIFIED DIMENSIONS ARE IN INCHES  
TOLERANCES ARE:

FRACTIONS	DECIMALS	ANGLES
±1/32	.XX±.015	±5°
	.XXX±.005	
	.XXXX±.0005	

DRAWN	DATE
TBJ	05/20/13
MATERIAL	WEIGHT(POUNDS)
319	45.9
STYLE	DISPOSITION
Q	Released

**Abbott Workholding Products**  
 430 McCall Road  
 Manhattan, KS 66502  
 785-776-8555  
 785-587-0004 Fax  
 800-528-6459  
 www.abbottworkholding.com  
 engineering@abbottworkholding.com

CUSTOMER:	SIZE	Part Name	REV.
Stock	A	KTT24B215P	--