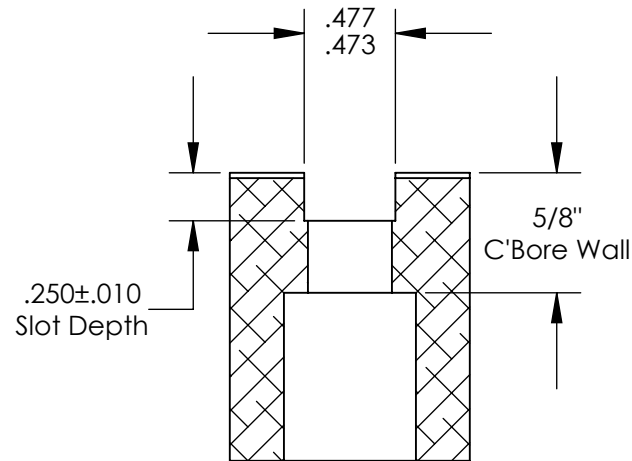
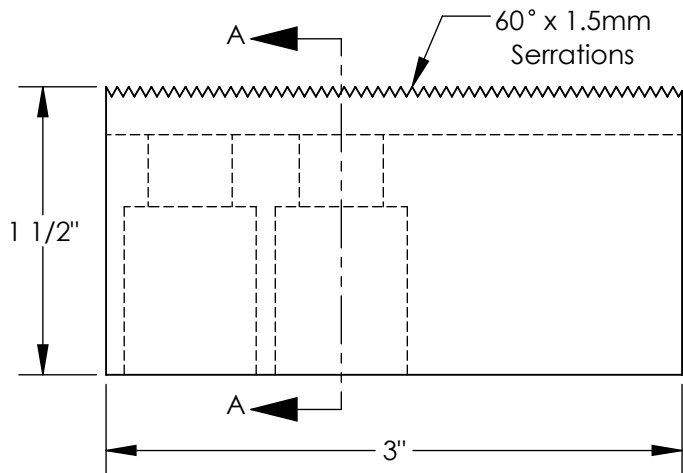
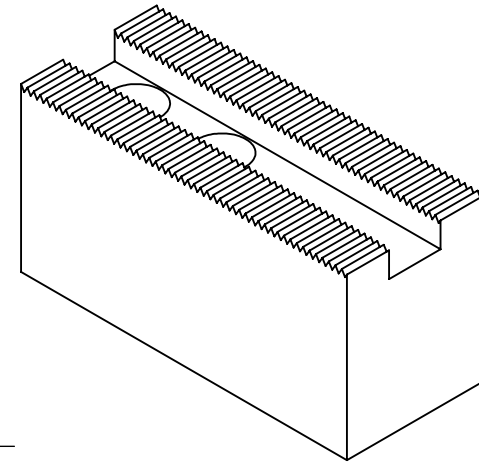
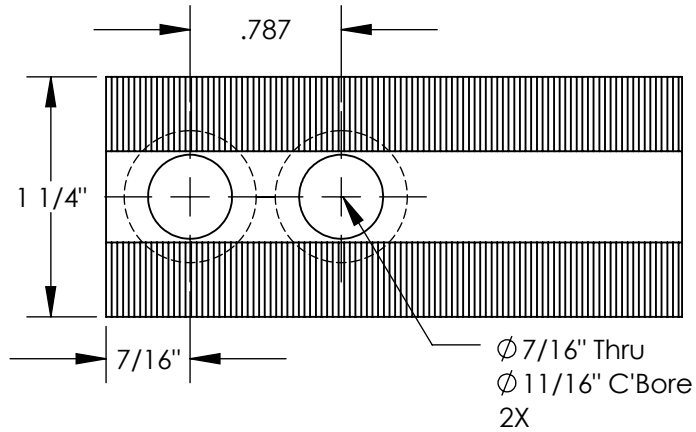


THE INFORMATION CONTAINED IN THIS DRAWING IS THE SOLE PROPERTY OF ABBOTT WORKHOLDING PRODUCTS. ANY REPRODUCTION IN PART OR WHOLE WITHOUT THE WRITTEN PERMISSION OF ABBOTT WORKHOLDING PRODUCTS IS PROHIBITED.



UNLESS OTHERWISE SPECIFIED  
DIMENSIONS ARE IN INCHES  
TOLERANCES ARE:  
FRACTIONS DECIMALS ANGLES  
± 1/32 .XX ± .015 ± 5°  
.XXX ± .005  
.XXXX ± .0005

### Abbott Workholding Products

430 McCall Road  
Manhattan, KS 66502  
785-776-8555  
785-587-0004 Fax  
800-528-6459

www.abbottworkholding.com  
engineering@abbottworkholding.com

DRAWN ZGG	DATE 04/01/22
MATERIAL 1018	WEIGHT(POUNDS) 1.3
STYLE P	DISPOSITION Released

CUSTOMER: Stock	SIZE A	Part Name KTT6SSQ	REV. A
--------------------	-----------	----------------------	-----------