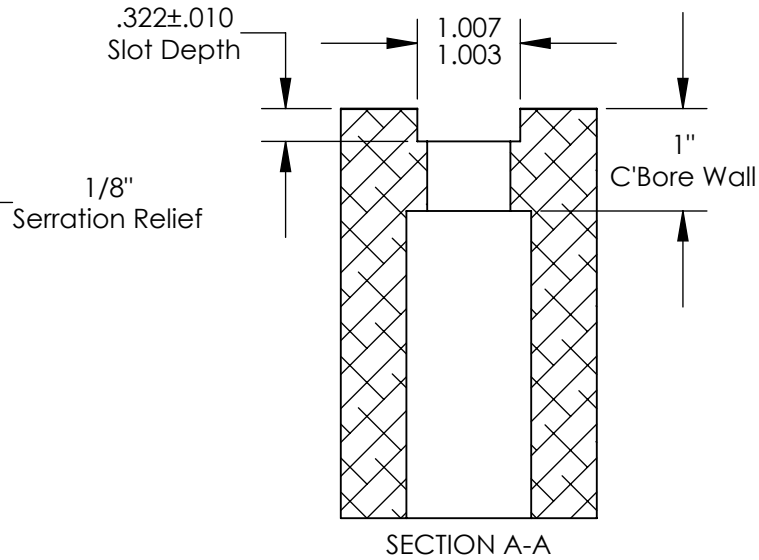
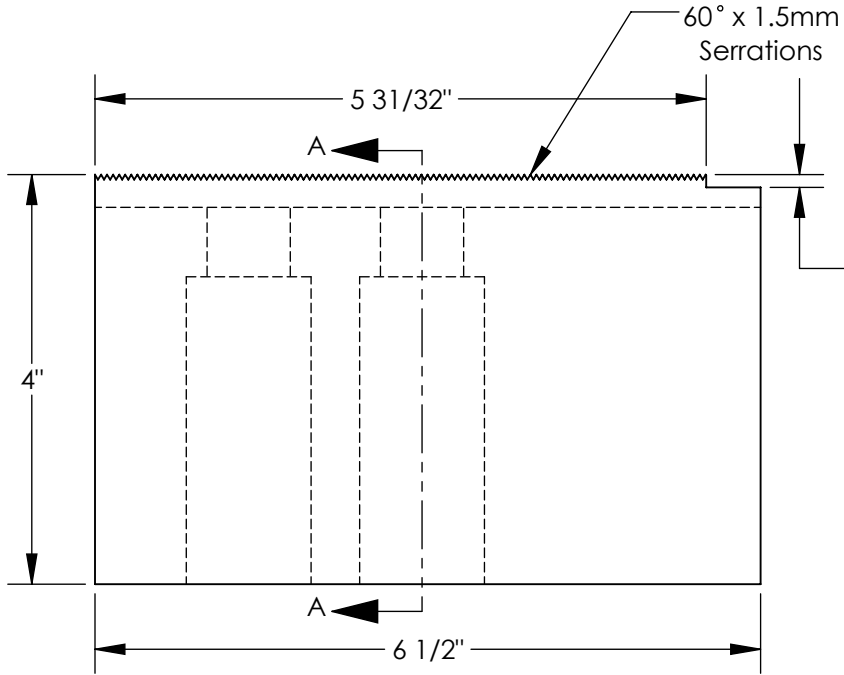
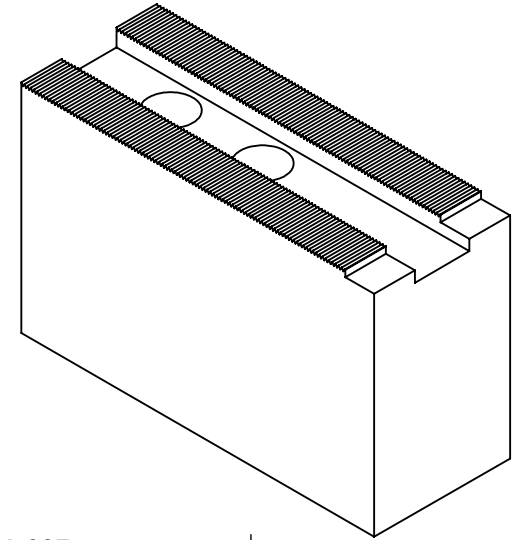
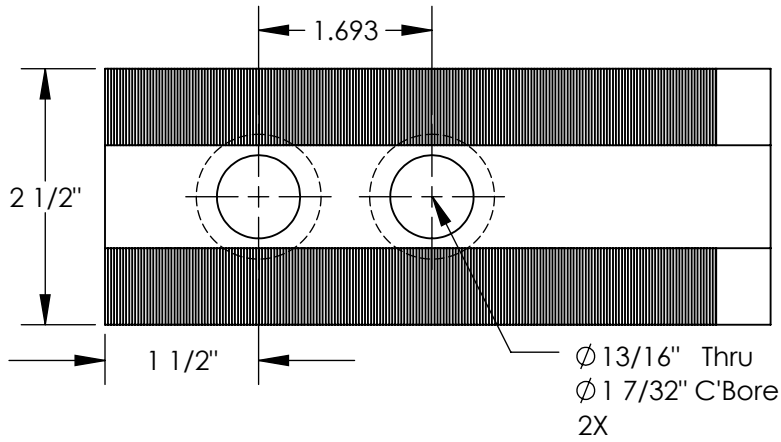


THE INFORMATION CONTAINED IN THIS DRAWING IS THE SOLE PROPERTY OF ABBOTT WORKHOLDING PRODUCTS. ANY REPRODUCTION IN PART OR WHOLE WITHOUT THE WRITTEN PERMISSION OF ABBOTT WORKHOLDING PRODUCTS IS PROHIBITED.



UNLESS OTHERWISE SPECIFIED
DIMENSIONS ARE IN INCHES
TOLERANCES ARE:
FRACTIONS DECIMALS ANGLES
± 1/32 .XX ± .015 ± 5°
.XXX ± .005
.XXXX ± .0005

Abbott Workholding Products

430 McCall Road
Manhattan, KS 66502
785-776-8555
785-587-0004 Fax
800-528-6459

www.abbottworkholding.com
engineering@abbottworkholding.com

DRAWN ZGG	DATE 04/01/22
MATERIAL 1018	WEIGHT (POUNDS) 15.6
STYLE P	DISPOSITION Released

CUSTOMER:
Stock

SIZE Part Name
A KTTB215S1SQ

REV.
A