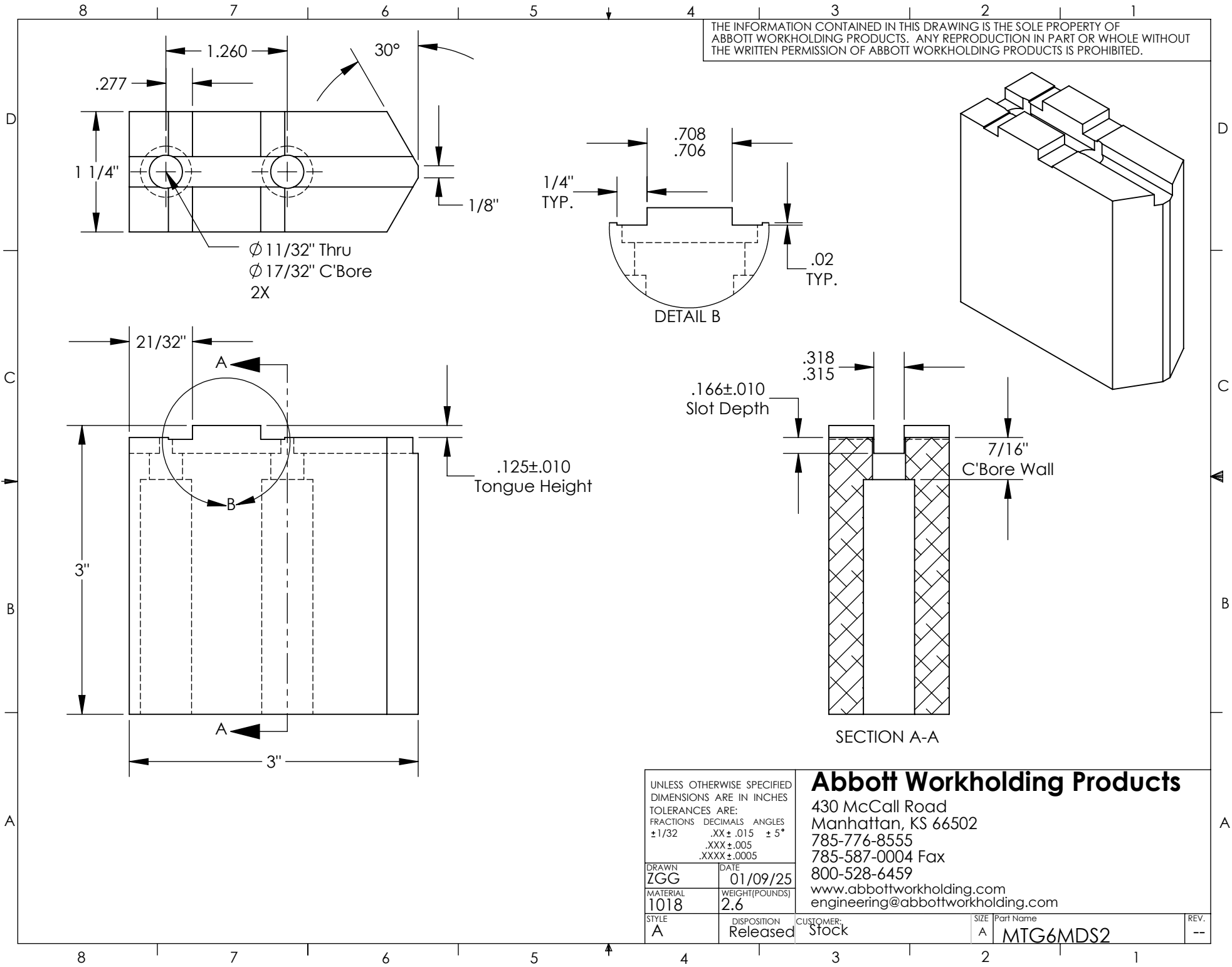


THE INFORMATION CONTAINED IN THIS DRAWING IS THE SOLE PROPERTY OF ABBOTT WORKHOLDING PRODUCTS. ANY REPRODUCTION IN PART OR WHOLE WITHOUT THE WRITTEN PERMISSION OF ABBOTT WORKHOLDING PRODUCTS IS PROHIBITED.



1.260  
30°  
1 1/4"  
1/8"  
.277  
Ø 11/32" Thru  
Ø 17/32" C'Bore  
2X

DETAIL B  
.708  
.706  
1/4" TYP.  
.02 TYP.

21/32"  
A  
B  
3"  
3"  
.125±.010  
Tongue Height

SECTION A-A  
.318  
.315  
.166±.010  
Slot Depth  
7/16"  
C'Bore Wall

UNLESS OTHERWISE SPECIFIED  
DIMENSIONS ARE IN INCHES  
TOLERANCES ARE:  
FRACTIONS DECIMALS ANGLES  
± 1/32 .XX ± .015 ± 5°  
.XXX ± .005  
.XXXX ± .0005

DRAWN ZGG	DATE 01/09/25
MATERIAL 1018	WEIGHT(POUNDS) 2.6
STYLE A	DISPOSITION Released

**Abbott Workholding Products**

430 McCall Road  
Manhattan, KS 66502  
785-776-8555  
785-587-0004 Fax  
800-528-6459  
www.abbottworkholding.com  
engineering@abbottworkholding.com

CUSTOMER: Stock	SIZE A	Part Name MTG6MDS2	REV. --
--------------------	-----------	-----------------------	------------