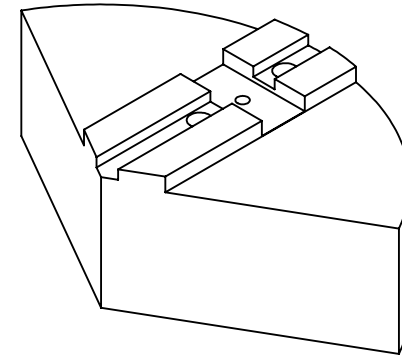
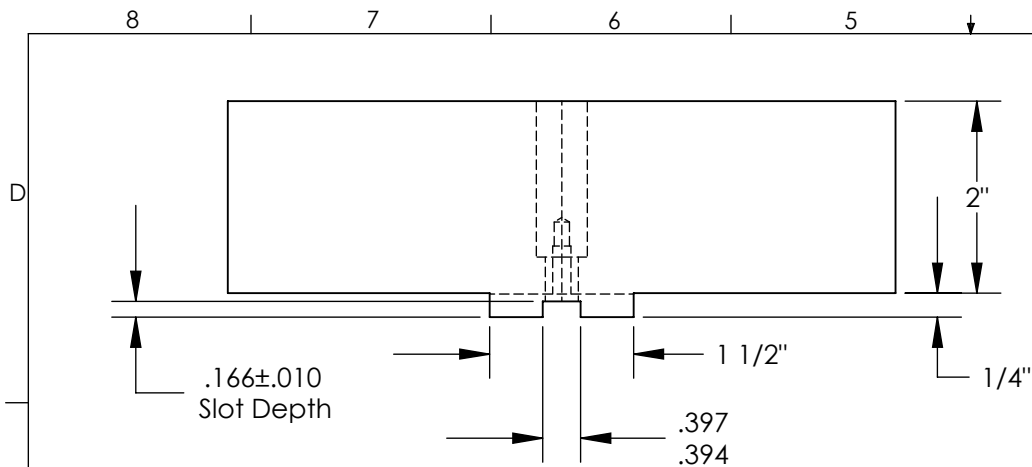
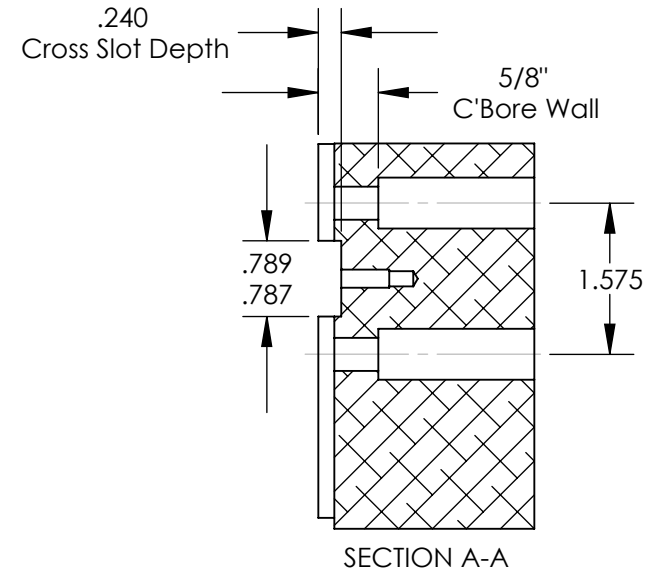
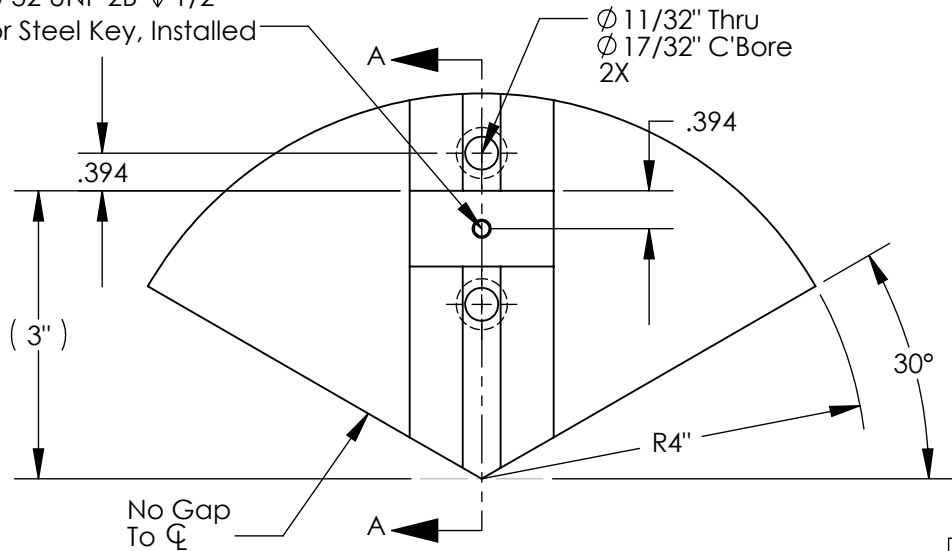


THE INFORMATION CONTAINED IN THIS DRAWING IS THE SOLE PROPERTY OF ABBOTT WORKHOLDING PRODUCTS. ANY REPRODUCTION IN PART OR WHOLE WITHOUT THE WRITTEN PERMISSION OF ABBOTT WORKHOLDING PRODUCTS IS PROHIBITED.



Tap Drill  $\varnothing .159 \nabla 3/4"$   
10-32 UNF-2B  $\nabla 1/2"$   
For Steel Key, Installed



UNLESS OTHERWISE SPECIFIED  
DIMENSIONS ARE IN INCHES  
TOLERANCES ARE:  
FRACTIONS DECIMALS ANGLES  
 $\pm 1/32$  .XX ± .015  $\pm 5^\circ$   
.XXX ± .005  
.XXXX ± .0005

DRAWN ZGG	DATE 05/06/16
MATERIAL 6061	WEIGHT (POUNDS) 3.4
STYLE D	DISPOSITION Released

### Abbott Workholding Products

430 McCall Road  
Manhattan, KS 66502  
785-776-8555  
785-587-0004 Fax  
800-528-6459

www.abbottworkholding.com  
engineering@abbottworkholding.com

CUSTOMER: Stock	SIZE A	Part Name MTG8MDP	REV. B
--------------------	-----------	----------------------	-----------