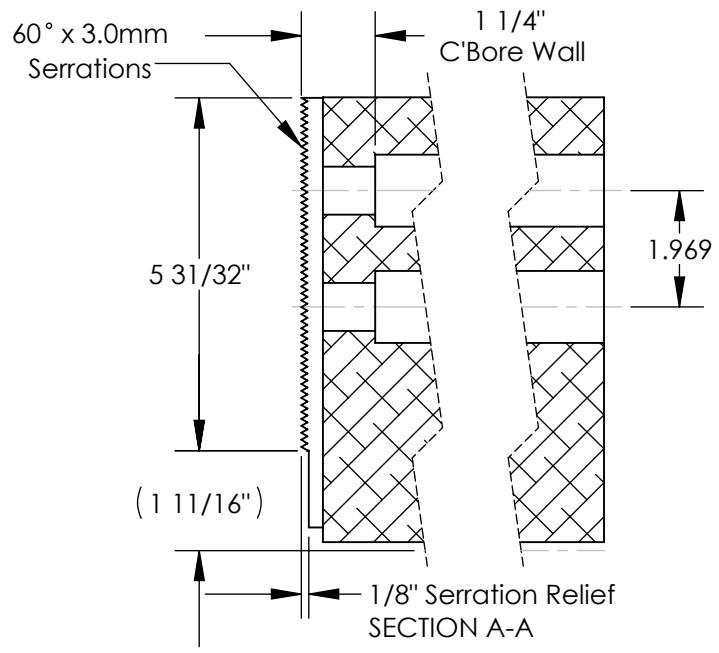
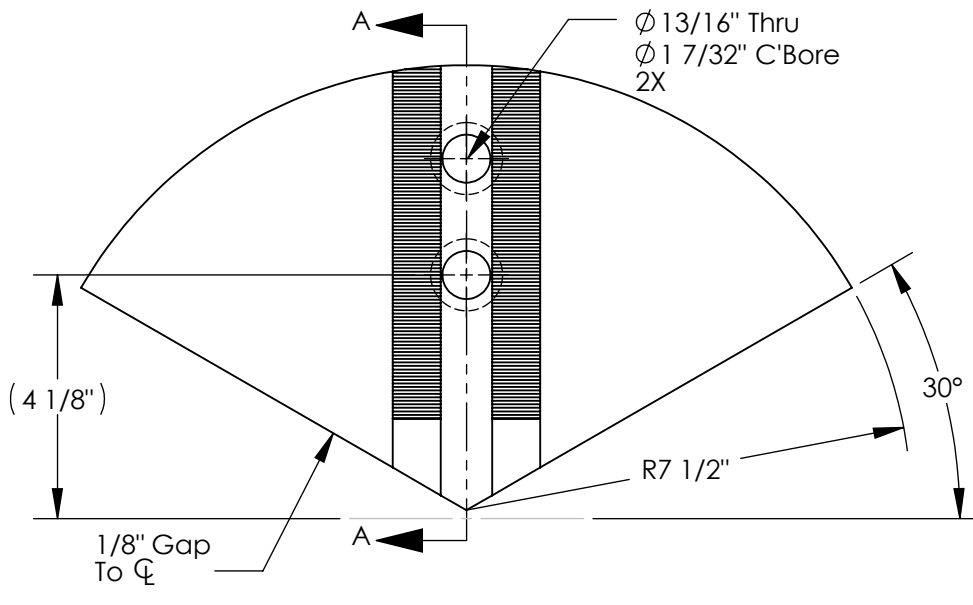
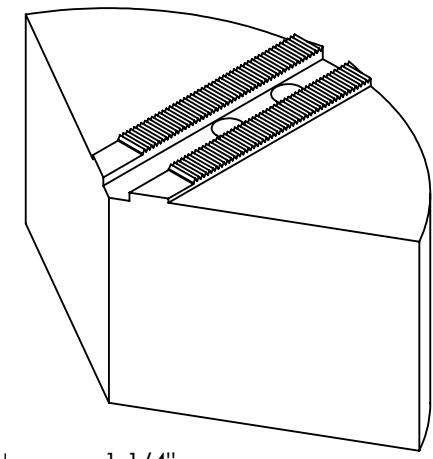
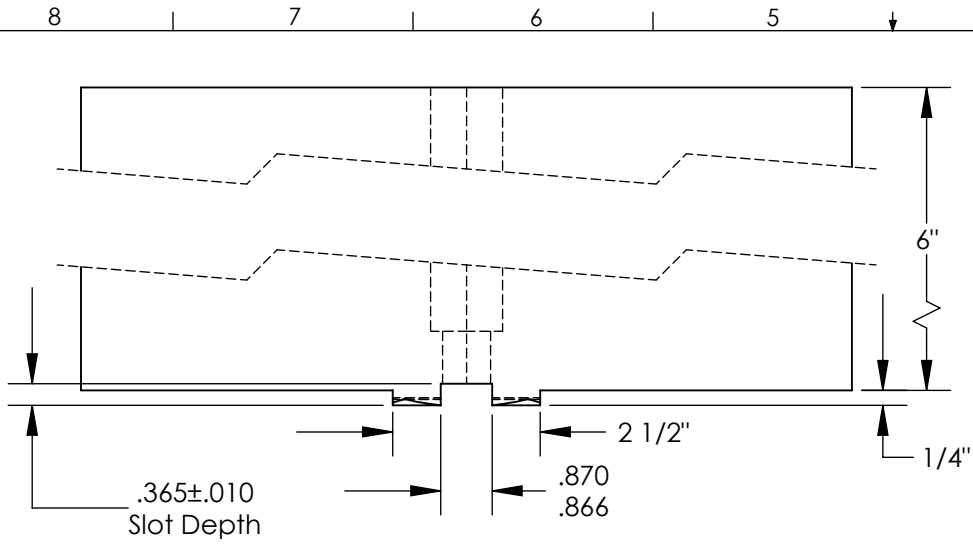


THE INFORMATION CONTAINED IN THIS DRAWING IS THE SOLE PROPERTY OF ABBOTT WORKHOLDING PRODUCTS. ANY REPRODUCTION IN PART OR WHOLE WITHOUT THE WRITTEN PERMISSION OF ABBOTT WORKHOLDING PRODUCTS IS PROHIBITED.



|   |                         |  |           |
|---|-------------------------|--|-----------|
| UNLESS OTHERWISE SPECIFIED<br>DIMENSIONS ARE IN INCHES<br>TOLERANCES ARE:<br>FRACTIONS DECIMALS ANGLES<br>$\pm 1/32$ .XX $\pm .015$ $\pm 5^\circ$<br>.XXX $\pm .005$<br>.XXXX $\pm .0005$ |                         | <b>Abbott Workholding Products</b><br>430 McCall Road<br>Manhattan, KS 66502<br>785-776-8555<br>785-587-0004 Fax<br>800-528-6459<br>www.abbottworkholding.com<br>engineering@abbottworkholding.com |           |
| DRAWN<br>ZGG  | DATE<br>02/17/17        | CUSTOMER:<br>Stock   |           |
| MATERIAL<br>6061  | WEIGHT (POUNDS)<br>33.7 | SIZE Part Name<br>A MTT15P6  | REV.<br>D |