

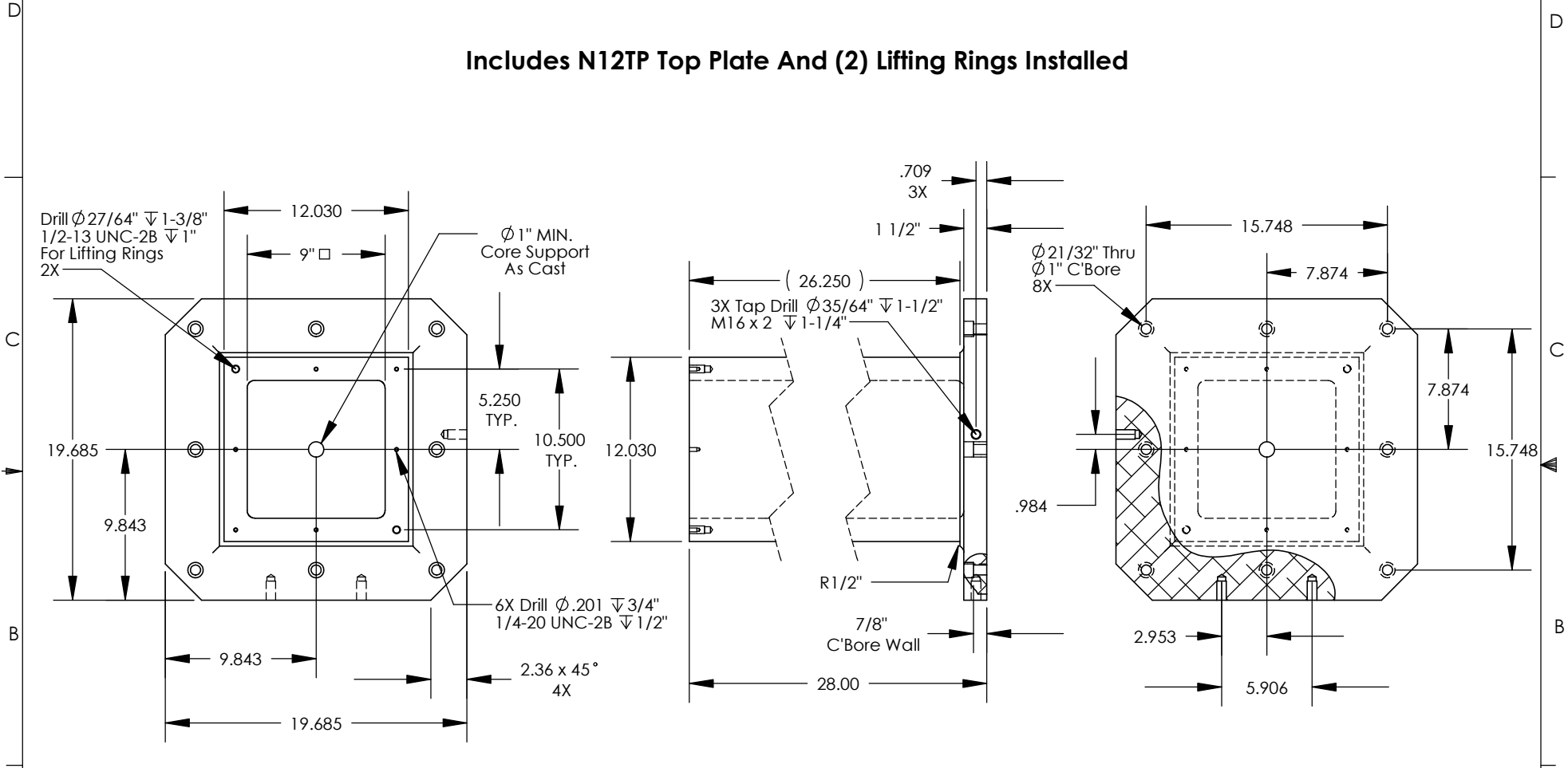
8 7 6 5 4 3 2 1

THE INFORMATION CONTAINED IN THIS DRAWING IS THE SOLE PROPERTY OF ABBOTT WORKHOLDING PRODUCTS. ANY REPRODUCTION IN PART OR WHOLE WITHOUT THE WRITTEN PERMISSION OF ABBOTT WORKHOLDING PRODUCTS IS PROHIBITED.

NOTES: Unless otherwise specified.

- 1. Machined surfaces  $\perp$  .001 in 12" // .002 in 12"  $\square$  .001 in 12"
- 2. Deburr and break all sharp edges.

**Includes N12TP Top Plate And (2) Lifting Rings Installed**



A

UNLESS OTHERWISE SPECIFIED  
DIMENSIONS ARE IN INCHES  
TOLERANCES ARE:  
FRACTIONS DECIMALS ANGLES  
 $\pm 1/32$  .XX  $\pm .015$   $\pm 5^\circ$   
.XXX  $\pm .005$   
.XXXX  $\pm .0005$

DRAWN ZGG	DATE 01/08/19
MATERIAL 713	WEIGHT (POUNDS) 230.2
STYLE TC	DISPOSITION Quote

**Abbott Workholding Products**

430 McCall Road  
Manhattan, KS 66502  
785-776-8555  
785-587-0004 Fax  
800-528-6459  
www.abbottworkholding.com  
engineering@abbottworkholding.com

CUSTOMER: Stock	SIZE A	Part Name N1228-500JIS	REV. --
--------------------	-----------	---------------------------	------------

8 7 6 5 4 3 2 1