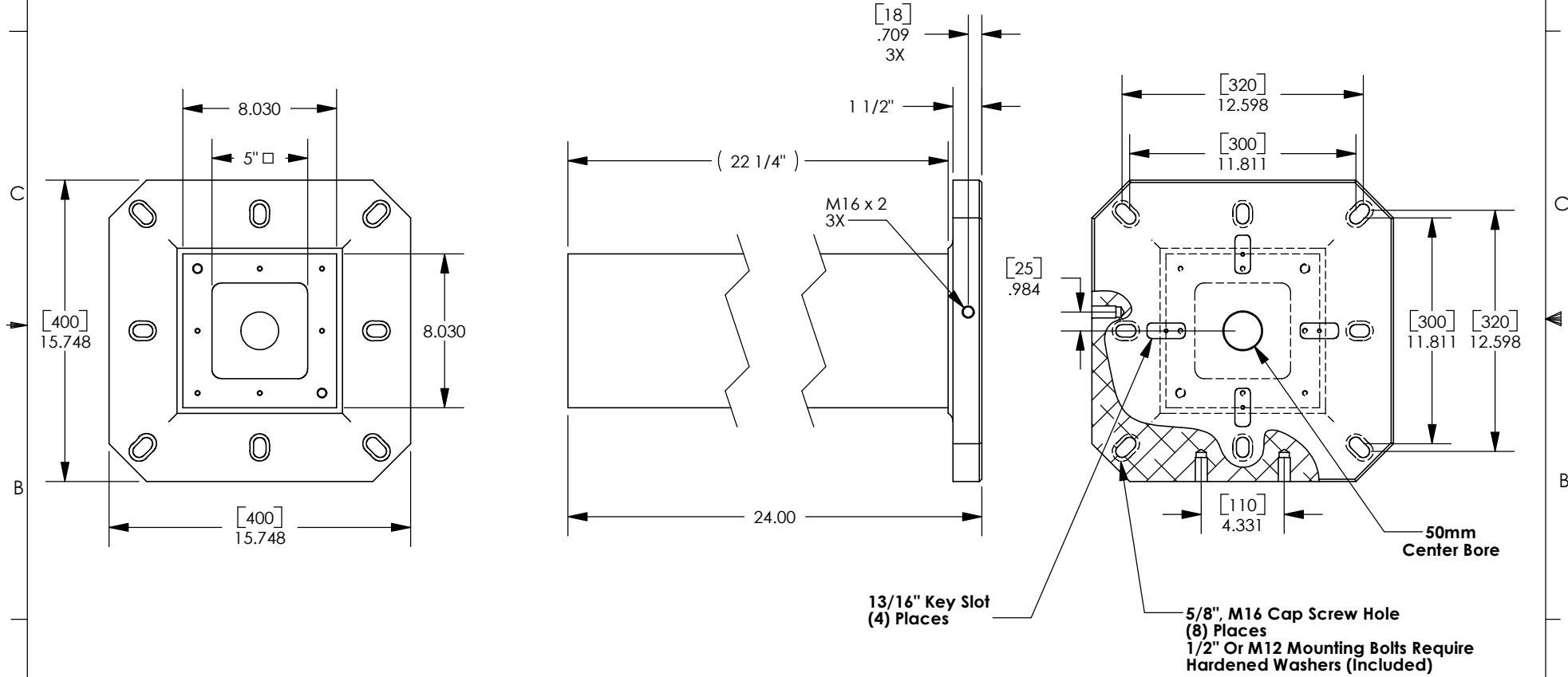


NOTES: Unless otherwise specified.

1. Machined surfaces \perp .001 in 12" // .002 in 12" \square .001 in 12"
2. Deburr and break all sharp edges.

THE INFORMATION CONTAINED IN THIS DRAWING IS THE SOLE PROPERTY OF ABBOTT WORKHOLDING PRODUCTS. ANY REPRODUCTION IN PART OR WHOLE WITHOUT THE WRITTEN PERMISSION OF ABBOTT WORKHOLDING PRODUCTS IS PROHIBITED.

Includes 1/4" Top Plate And (2) Lifting Rings



UNLESS OTHERWISE SPECIFIED DIMENSIONS ARE IN INCHES	
TOLERANCES ARE:	
FRACTIONS	DECIMALS
±1/32	.XX ± .015
	.XXX ± .005
	.XXXX ± .0005
ANGLES	± 5°
DRAWN	DATE
TBJ	11/18/11
MATERIAL	WEIGHT(POUNDS)
713	126.2
STYLE	DISPOSITION
TC	Released

Abbott Workholding Products
 430 McCall Road
 Manhattan, KS 66502
 785-776-8555
 785-587-0004 Fax
 800-528-6459
 www.abbottworkholding.com
 engineering@abbottworkholding.com

CUSTOMER:	SIZE	Part Name	REV.
Stock	A	N824-400UM	D