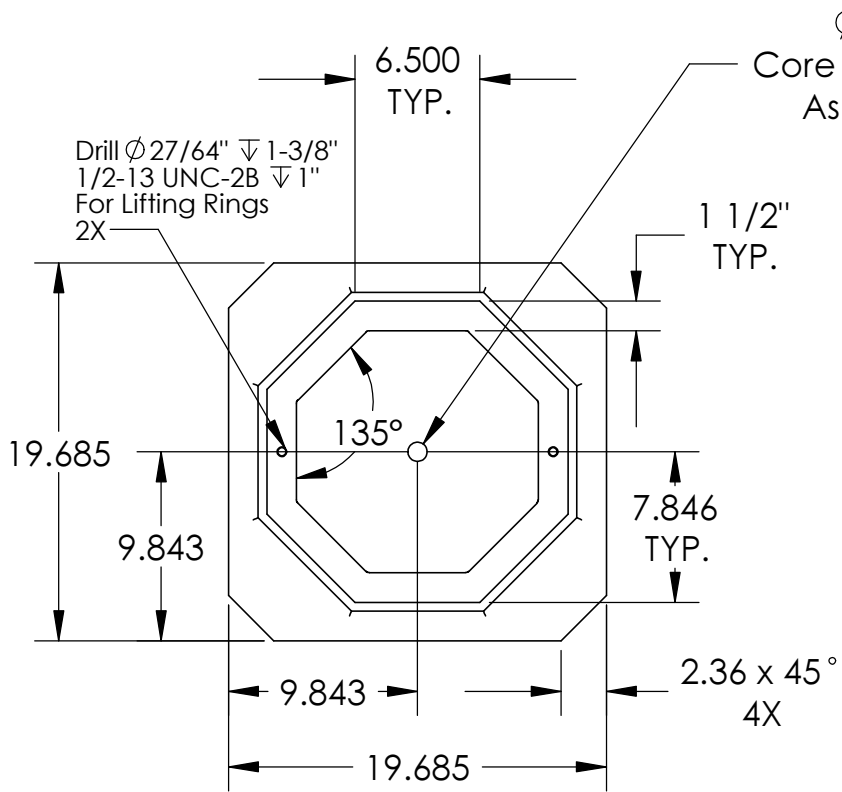
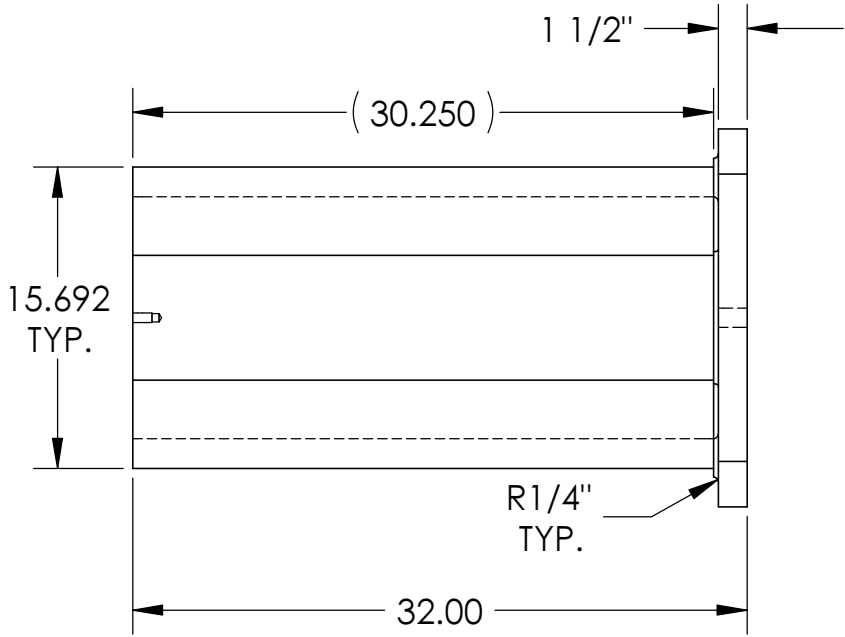


THE INFORMATION CONTAINED IN THIS DRAWING IS THE SOLE PROPERTY OF ABBOTT WORKHOLDING PRODUCTS. ANY REPRODUCTION IN PART OR WHOLE WITHOUT THE WRITTEN PERMISSION OF ABBOTT WORKHOLDING PRODUCTS IS PROHIBITED.



Ø1" Core Support As Cast



UNLESS OTHERWISE SPECIFIED DIMENSIONS ARE IN INCHES TOLERANCES ARE:

FRACTIONS	DECIMALS	ANGLES
±1/32	.XX ± .015	± 5°
	.XXX ± .005	
	.XXXX ± .0005	

DRAWN	DATE
ZGG	01/02/19
MATERIAL	WEIGHT (POUNDS)
713	283.9
STYLE	DISPOSITION
TC	Released

### Abbott Workholding Products

430 McCall Road  
 Manhattan, KS 66502  
 785-776-8555  
 785-587-0004 Fax  
 800-528-6459  
[www.abbottworkholding.com](http://www.abbottworkholding.com)  
[engineering@abbottworkholding.com](mailto:engineering@abbottworkholding.com)

CUSTOMER:	Part Name	REV.
Stock	A O63216-500BS	--