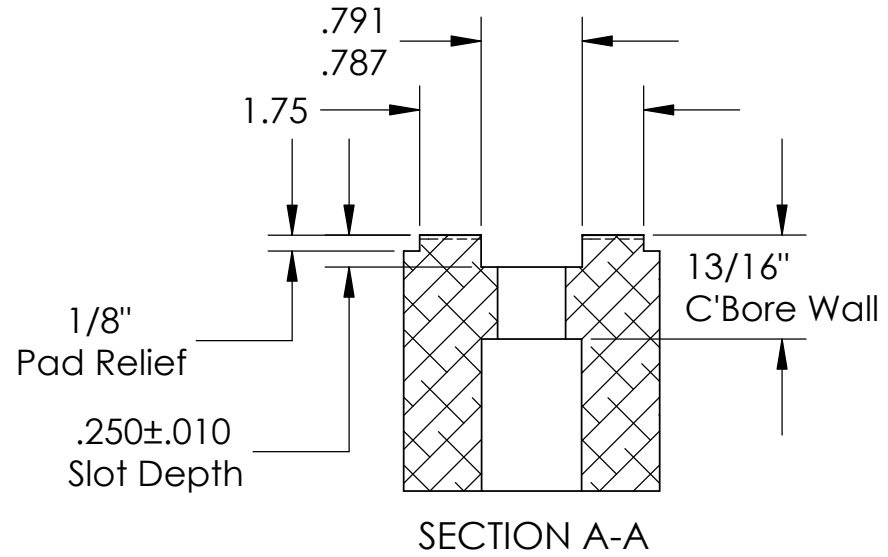
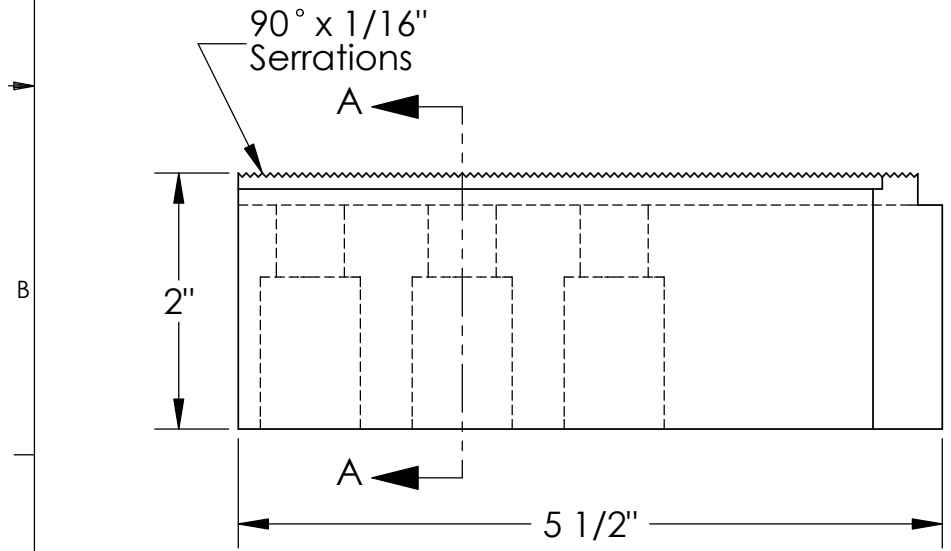
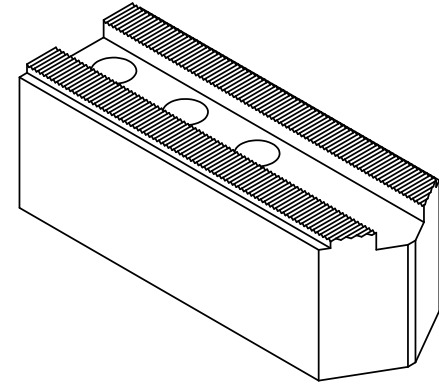
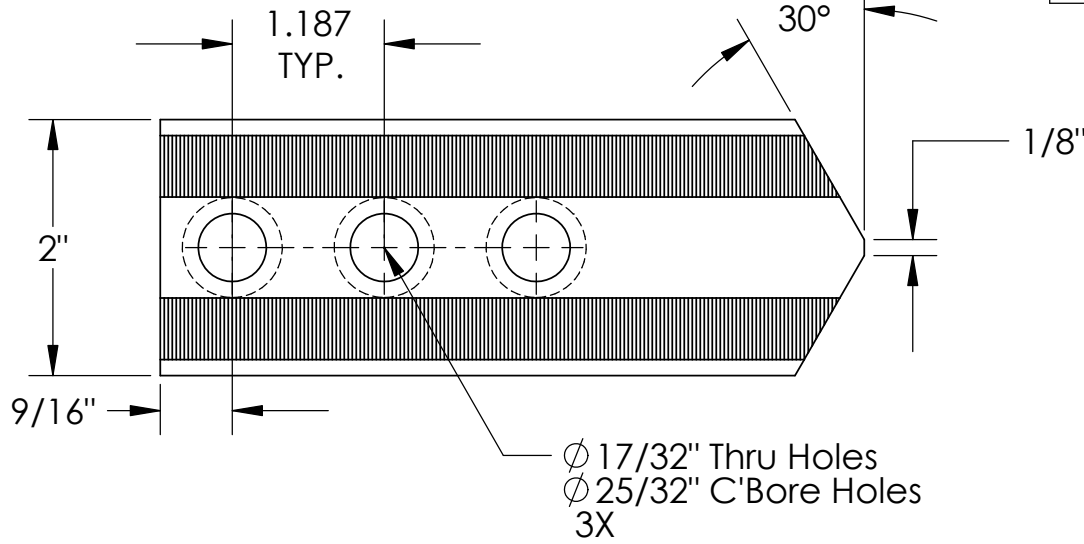


THE INFORMATION CONTAINED IN THIS DRAWING IS THE SOLE PROPERTY OF ABBOTT WORKHOLDING PRODUCTS. ANY REPRODUCTION IN PART OR WHOLE WITHOUT THE WRITTEN PERMISSION OF ABBOTT WORKHOLDING PRODUCTS IS PROHIBITED.



UNLESS OTHERWISE SPECIFIED DIMENSIONS ARE IN INCHES		Abbott Workholding Products	
TOLERANCES ARE:			
FRACTIONS	DECIMALS	ANGLES	430 McCall Road Manhattan, KS 66502 785-776-8555 785-587-0004 Fax 800-528-6459 www.abbottworkholding.com engineering@abbottworkholding.com
±1/32	.XX±.015	± 5°	
	.XXX±.005		
	.XXXX±.0005		
DRAWN	DATE	CUSTOMER: Stock	
Ahh	5/4/06		
MATERIAL	WEIGHT(POUNDS)	SIZE	Part Name
6061	1.8	A	PH12A
STYLE	DISPOSITION	CUSTOMER:	REV.
J	Released	Stock	--