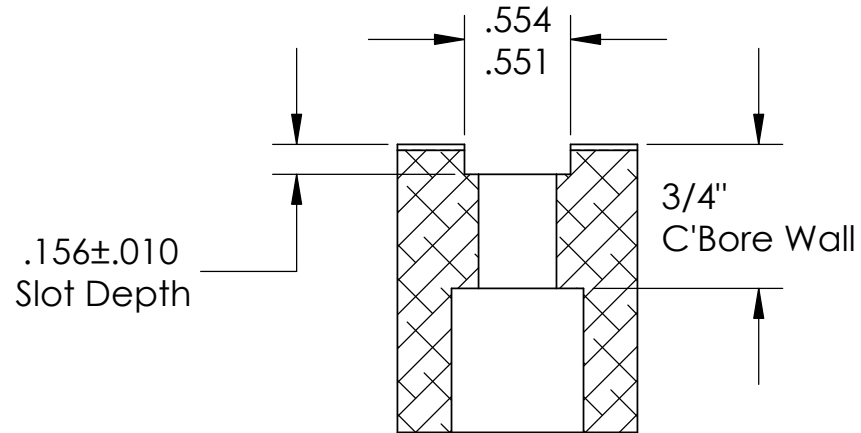
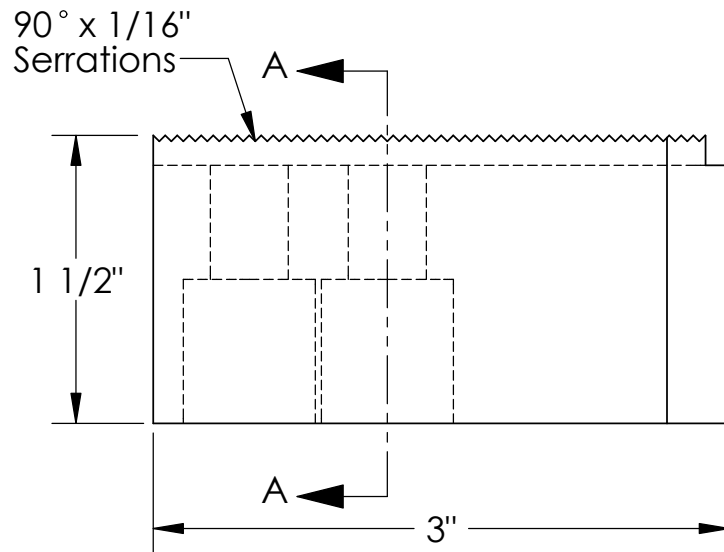
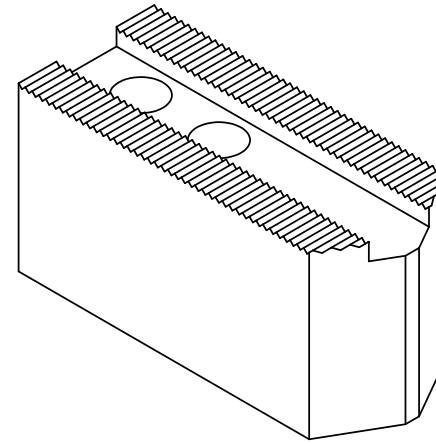
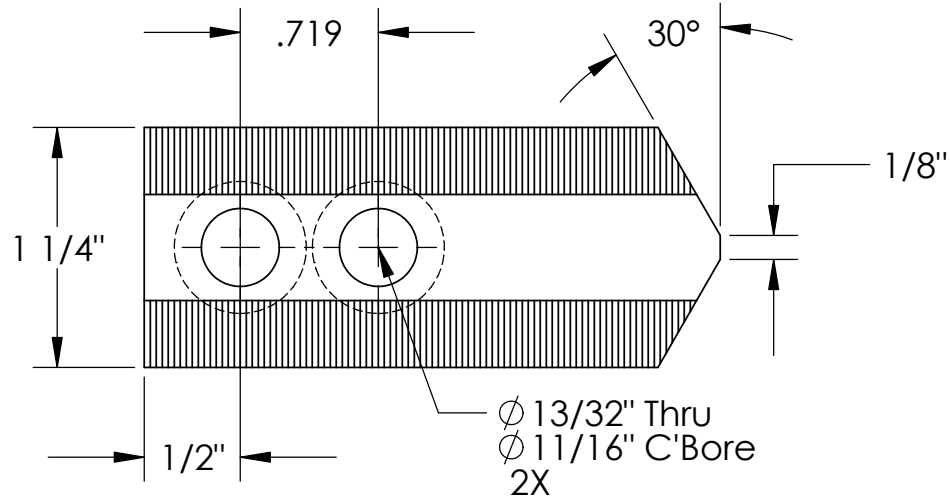


THE INFORMATION CONTAINED IN THIS DRAWING IS THE SOLE PROPERTY OF ABBOTT WORKHOLDING PRODUCTS. ANY REPRODUCTION IN PART OR WHOLE WITHOUT THE WRITTEN PERMISSION OF ABBOTT WORKHOLDING PRODUCTS IS PROHIBITED.



| | |
|---|-----------------|
| UNLESS OTHERWISE SPECIFIED DIMENSIONS ARE IN INCHES | |
| TOLERANCES ARE: | |
| FRACTIONS | DECIMALS ANGLES |
| ±1/32 | .XX±.015 ±5° |
| | .XXX±.005 |
| | .XXXX±.0005 |
| DRAWN | DATE |
| Ahh | 5/2/06 |
| MATERIAL | WEIGHT(POUNDS) |
| 6061 | 0.5 |
| STYLE | DISPOSITION |
| J | Released |

Abbott Workholding Products

430 McCall Road
 Manhattan, KS 66502
 785-776-8555
 785-587-0004 Fax
 800-528-6459

www.abbottworkholding.com
 engineering@abbottworkholding.com

| | | | |
|-----------|------|-----------|------|
| CUSTOMER: | SIZE | Part Name | REV. |
| Stock | A | PH6.5A | C |