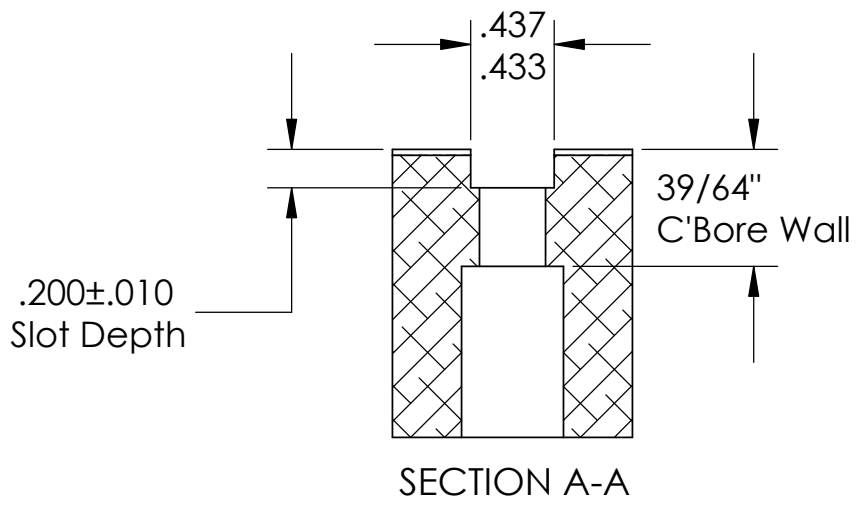
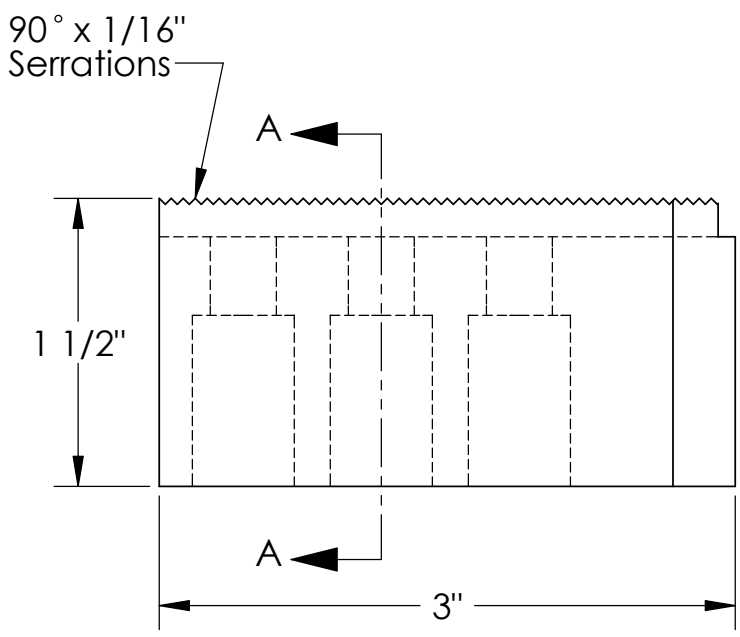
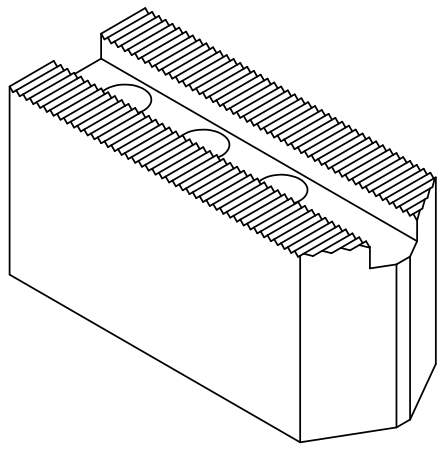
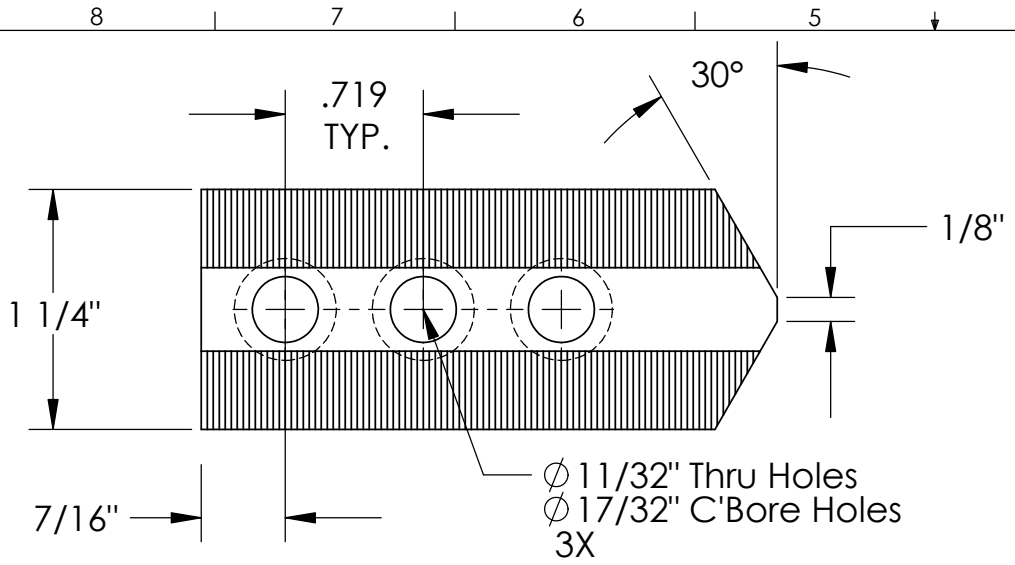


THE INFORMATION CONTAINED IN THIS DRAWING IS THE SOLE PROPERTY OF ABBOTT WORKHOLDING PRODUCTS. ANY REPRODUCTION IN PART OR WHOLE WITHOUT THE WRITTEN PERMISSION OF ABBOTT WORKHOLDING PRODUCTS IS PROHIBITED.



|  |                         |  |                   |
|--|-------------------------|--|-------------------|
| UNLESS OTHERWISE SPECIFIED<br>DIMENSIONS ARE IN INCHES<br>TOLERANCES ARE:<br>FRACTIONS DECIMALS ANGLES<br>±1/32 .XX±.015 ±5°<br>.XXX±.005<br>.XXXX±.0005 |                         | <b>Abbott Workholding Products</b><br>430 McCall Road<br>Manhattan, KS 66502<br>785-776-8555<br>785-587-0004 Fax<br>800-528-6459<br>www.abbottworkholding.com<br>engineering@abbottworkholding.com |                   |
| DRAWN<br>Ahh   | DATE<br>5/3/06          | CUSTOMER:<br>Stock   |                   |
| MATERIAL<br>6061   | WEIGHT(POUNDS)<br>0.5   | SIZE<br>A  | Part Name<br>PH6A |
| STYLE<br>J   | DISPOSITION<br>Released | REV.<br>A  |                   |