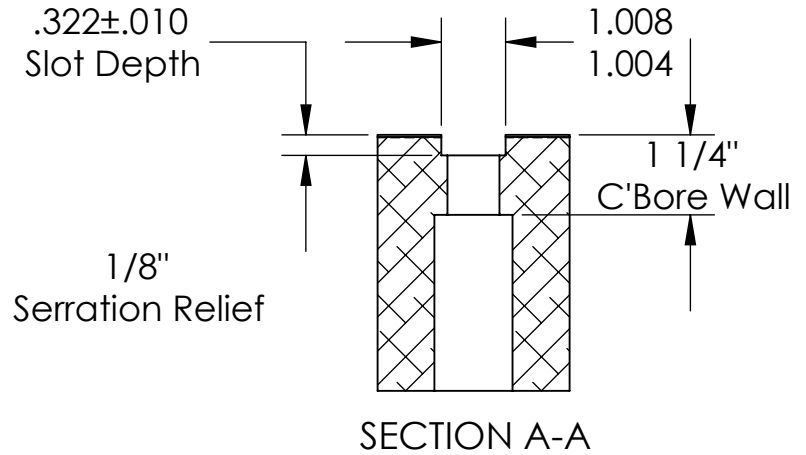
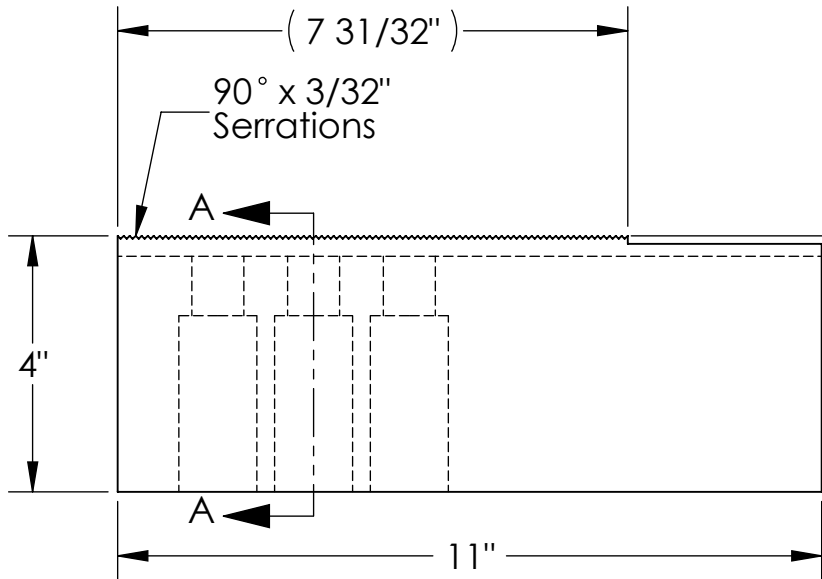
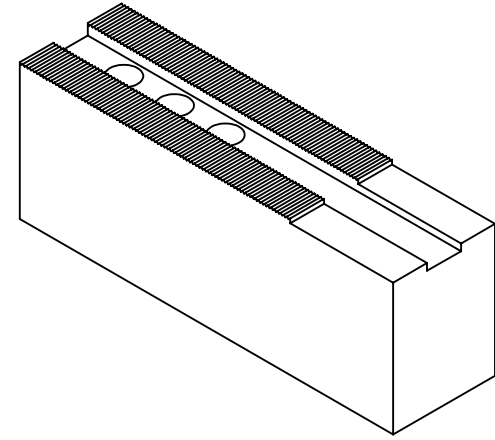
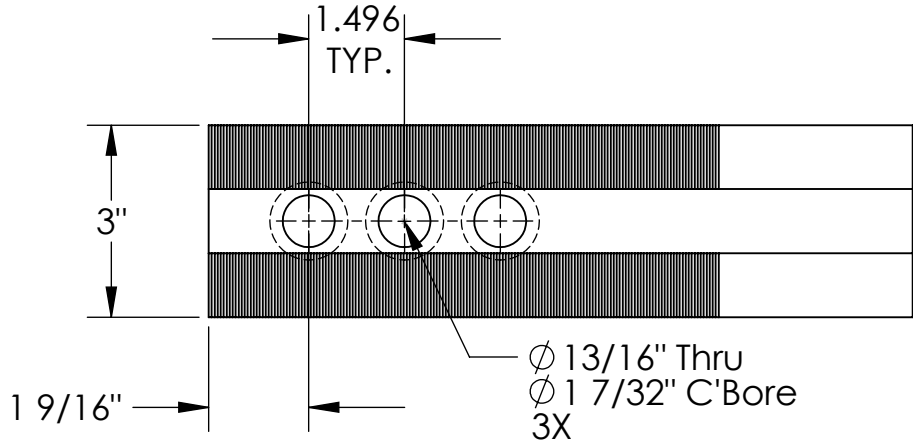


THE INFORMATION CONTAINED IN THIS DRAWING IS THE SOLE PROPERTY OF ABBOTT WORKHOLDING PRODUCTS. ANY REPRODUCTION IN PART OR WHOLE WITHOUT THE WRITTEN PERMISSION OF ABBOTT WORKHOLDING PRODUCTS IS PROHIBITED.



UNLESS OTHERWISE SPECIFIED DIMENSIONS ARE IN INCHES TOLERANCES ARE:		<b>Abbott Workholding Products</b>	
FRACTIONS DECIMALS ANGLES		430 McCall Road	
± 1/32	.XX ± .015	± 5°	Manhattan, KS 66502
	.XXX ± .005		785-776-8555
	.XXXX ± .0005		785-587-0004 Fax
DRAWN	DATE	800-528-6459	
ZGG	11/01/18	www.abbottworkholding.com	
MATERIAL	WEIGHT (POUNDS)	engineering@abbottworkholding.com	
6061	11.4		
STYLE	DISPOSITION	CUSTOMER:	SIZE Part Name
J	Released	Stock	A SMW25ASQ
			REV. --