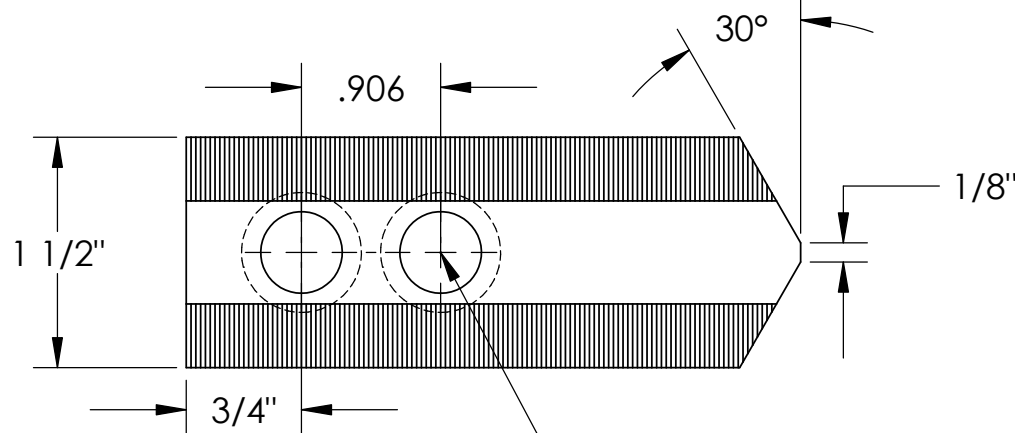
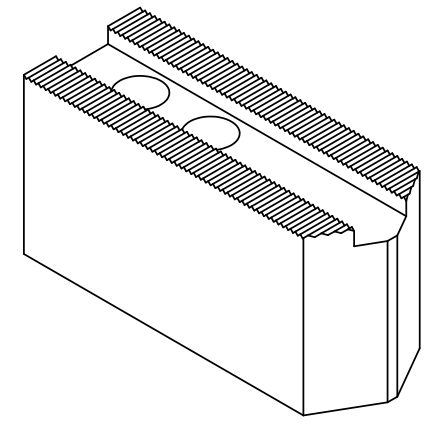


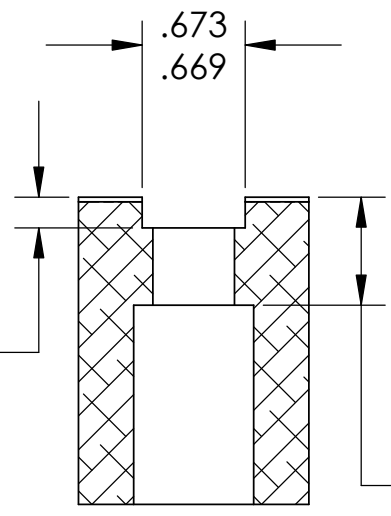
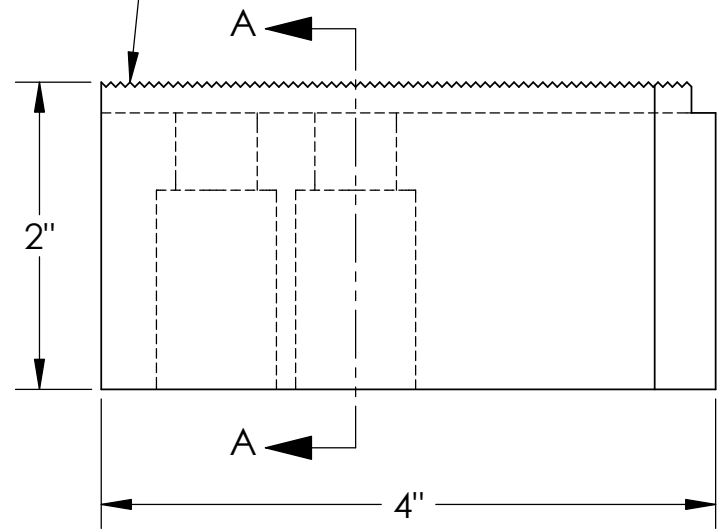
THE INFORMATION CONTAINED IN THIS DRAWING IS THE SOLE PROPERTY OF ABBOTT WORKHOLDING PRODUCTS. ANY REPRODUCTION IN PART OR WHOLE WITHOUT THE WRITTEN PERMISSION OF ABBOTT WORKHOLDING PRODUCTS IS PROHIBITED.



Ø 17/32" Thru Holes
 Ø 25/32" C'Bore Holes
 2X



90° x 1/16" Serrations



45/64" C'Bore Wall

SECTION A-A

UNLESS OTHERWISE SPECIFIED DIMENSIONS ARE IN INCHES
 TOLERANCES ARE:
 FRACTIONS DECIMALS ANGLES
 ±1/32 .XX±.015 ±5°
 .XXX±.005
 .XXXX±.0005

DRAWN Ahh	DATE 5/4/06
MATERIAL 6061	WEIGHT(POUNDS) 1
STYLE J	DISPOSITION Released

Abbott Workholding Products
 430 McCall Road
 Manhattan, KS 66502
 785-776-8555
 785-587-0004 Fax
 800-528-6459
 www.abbottworkholding.com
 engineering@abbottworkholding.com

CUSTOMER: Stock	SIZE A	Part Name SMW8A	REV. A
--------------------	-----------	--------------------	-----------