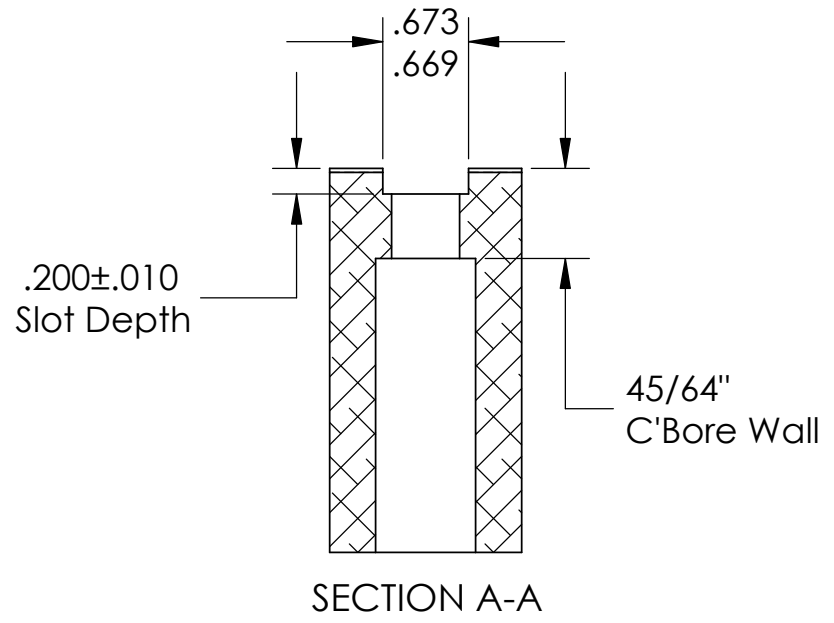
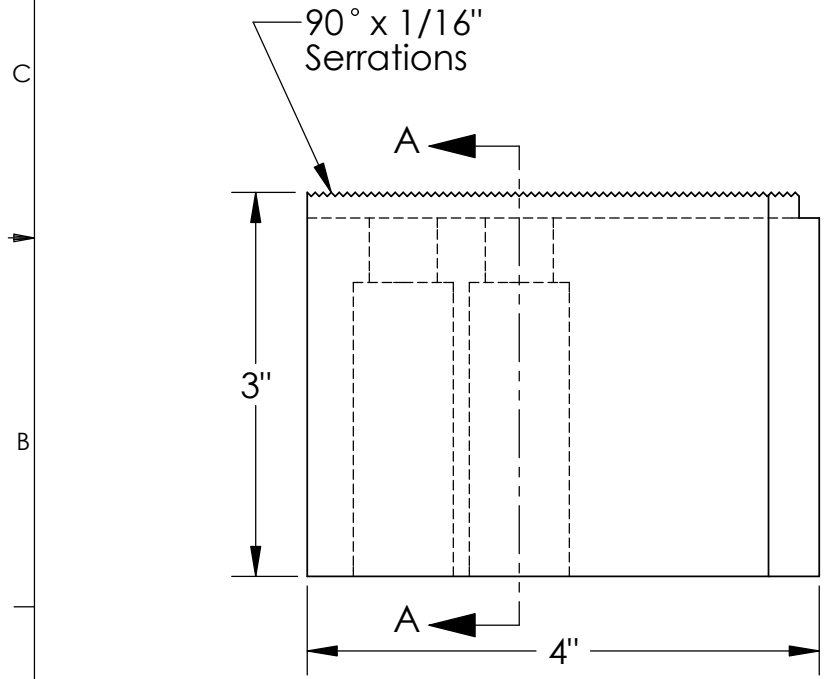
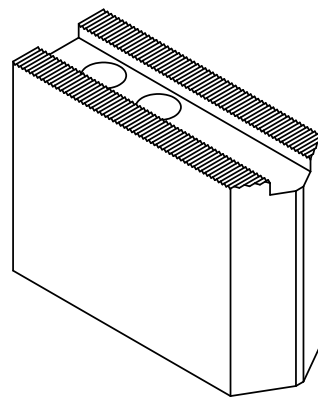
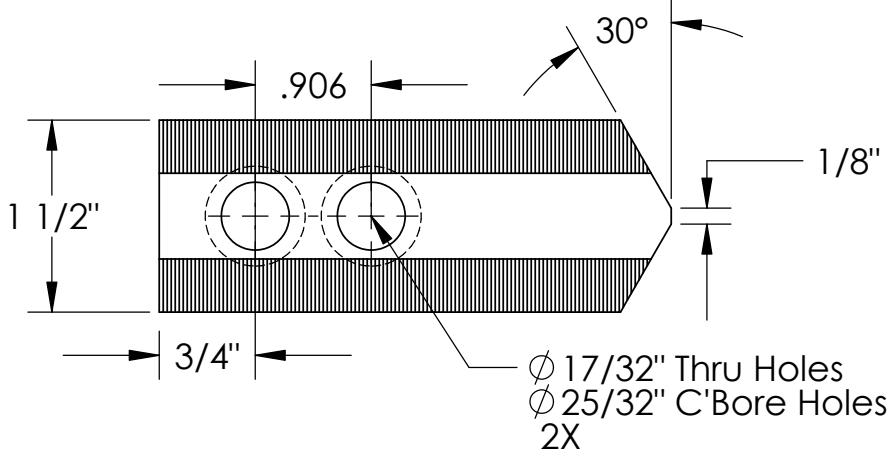


THE INFORMATION CONTAINED IN THIS DRAWING IS THE SOLE PROPERTY OF ABBOTT WORKHOLDING PRODUCTS. ANY REPRODUCTION IN PART OR WHOLE WITHOUT THE WRITTEN PERMISSION OF ABBOTT WORKHOLDING PRODUCTS IS PROHIBITED.



UNLESS OTHERWISE SPECIFIED DIMENSIONS ARE IN INCHES		Abbott Workholding Products	
TOLERANCES ARE:		430 McCall Road	
FRACTIONS	DECIMALS	ANGLES	Manhattan, KS 66502
$\pm 1/32$.XX ± .015	$\pm 5^\circ$	785-776-8555
	.XXX ± .005		785-587-0004 Fax
	.XXXX ± .0005		800-528-6459
DRAWN	DATE	www.abbottworkholding.com	
Ahh	5/4/06	engineering@abbottworkholding.com	
MATERIAL	WEIGHT (POUNDS)		
6061	1.4		
STYLE	DISPOSITION	CUSTOMER:	SIZE Part Name
J	Released	Stock	A SMW8A1
			REV. A