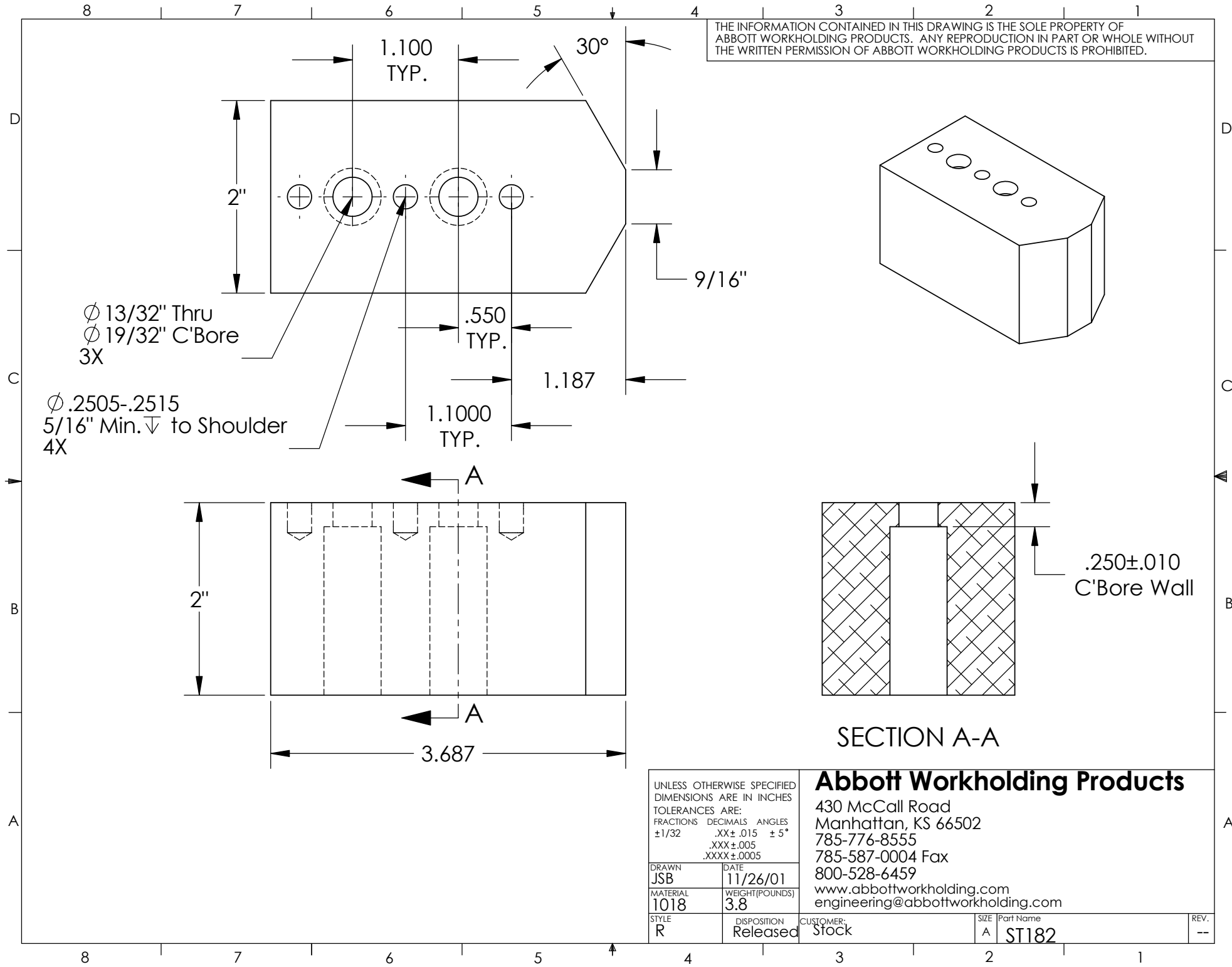
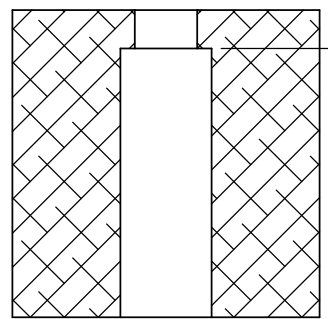
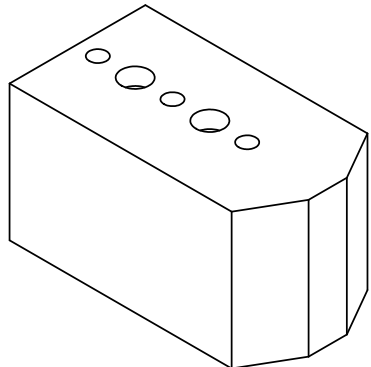


THE INFORMATION CONTAINED IN THIS DRAWING IS THE SOLE PROPERTY OF ABBOTT WORKHOLDING PRODUCTS. ANY REPRODUCTION IN PART OR WHOLE WITHOUT THE WRITTEN PERMISSION OF ABBOTT WORKHOLDING PRODUCTS IS PROHIBITED.



$\phi$  13/32" Thru  
 $\phi$  19/32" C'Bore  
 3X

$\phi$  .2505-.2515  
 5/16" Min.  $\nabla$  to Shoulder  
 4X



.250±.010  
C'Bore Wall

SECTION A-A

UNLESS OTHERWISE SPECIFIED  
 DIMENSIONS ARE IN INCHES  
 TOLERANCES ARE:  
 FRACTIONS DECIMALS ANGLES  
 $\pm 1/32$  .XX±.015  $\pm 5^\circ$   
 .XXX±.005  
 .XXXX±.0005

**Abbott Workholding Products**

430 McCall Road  
 Manhattan, KS 66502  
 785-776-8555  
 785-587-0004 Fax  
 800-528-6459

[www.abbottworkholding.com](http://www.abbottworkholding.com)  
[engineering@abbottworkholding.com](mailto:engineering@abbottworkholding.com)

DRAWN JSB	DATE 11/26/01
MATERIAL 1018	WEIGHT(POUNDS) 3.8
STYLE R	DISPOSITION Released

CUSTOMER: Stock	SIZE A	Part Name ST182	REV. --
--------------------	-----------	--------------------	------------