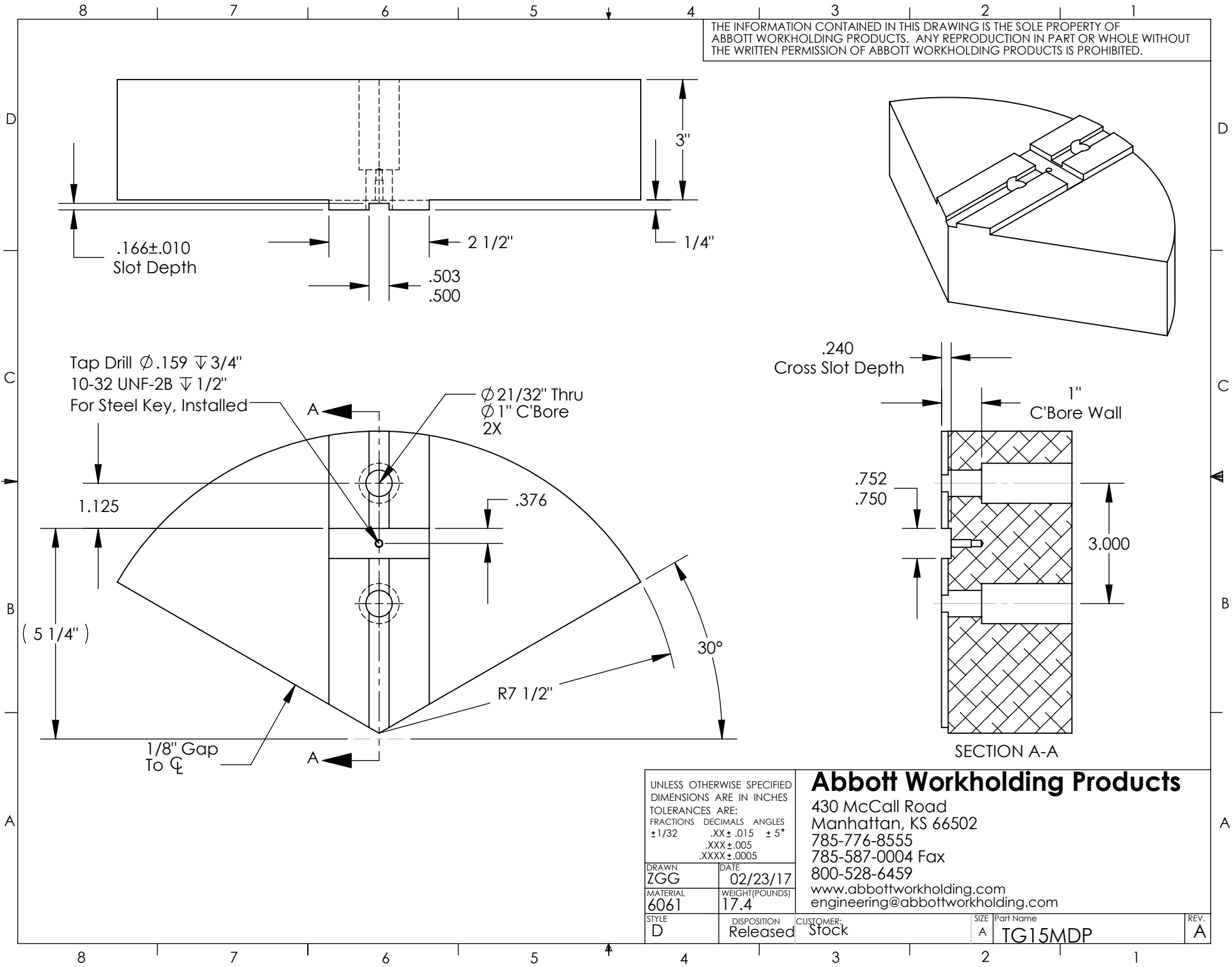


THE INFORMATION CONTAINED IN THIS DRAWING IS THE SOLE PROPERTY OF ABBOTT WORKHOLDING PRODUCTS. ANY REPRODUCTION IN PART OR WHOLE WITHOUT THE WRITTEN PERMISSION OF ABBOTT WORKHOLDING PRODUCTS IS PROHIBITED.



.166±.010
Slot Depth

Tap Drill $\phi .159 \nabla 3/4"$
10-32 UNF-2B $\nabla 1/2"$
For Steel Key, Installed

$\phi 21/32"$ Thru
 $\phi 1"$ C'Bore
2X

.240
Cross Slot Depth

1"
C'Bore Wall

SECTION A-A

UNLESS OTHERWISE SPECIFIED
DIMENSIONS ARE IN INCHES
TOLERANCES ARE:
FRACTIONS DECIMALS ANGLES
 $\pm 1/32$.XX $\pm .015$ $\pm 5^\circ$
.XXX $\pm .005$
.XXXX $\pm .0005$

Abbott Workholding Products

430 McCall Road
Manhattan, KS 66502
785-776-8555
785-587-0004 Fax
800-528-6459

www.abbottworkholding.com
engineering@abbottworkholding.com

DRAWN ZGG	DATE 02/23/17
MATERIAL 6061	WEIGHT(POUNDS) 17.4
STYLE D	DISPOSITION Released

CUSTOMER: Stock	SIZE Part Name A TG15MDP	REV. A
--------------------	-----------------------------	-----------