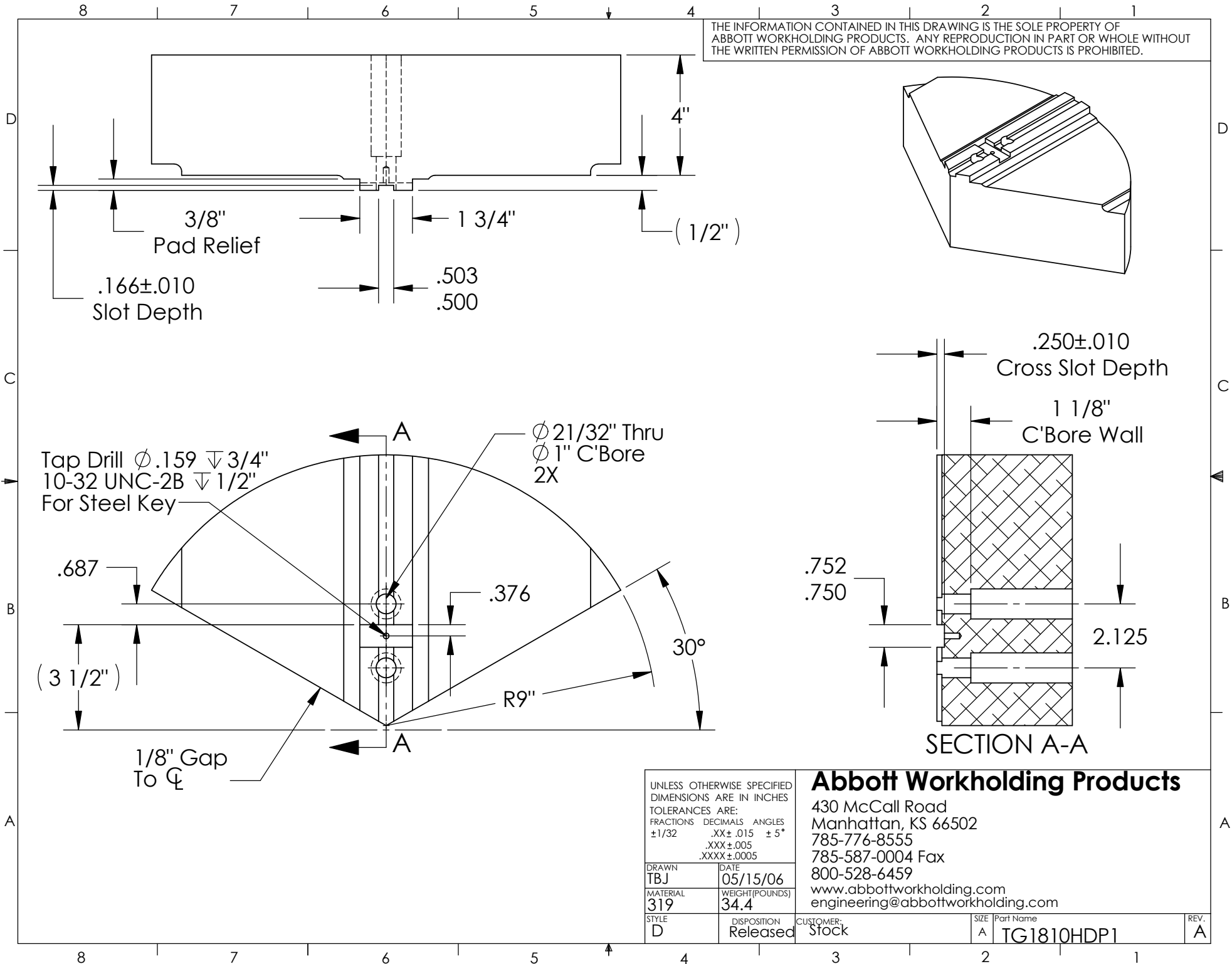


THE INFORMATION CONTAINED IN THIS DRAWING IS THE SOLE PROPERTY OF ABBOTT WORKHOLDING PRODUCTS. ANY REPRODUCTION IN PART OR WHOLE WITHOUT THE WRITTEN PERMISSION OF ABBOTT WORKHOLDING PRODUCTS IS PROHIBITED.



3/8"
Pad Relief

.166±.010
Slot Depth

1 3/4"

(1/2")

.503
.500

Tap Drill ϕ .159 ∇ 3/4"
10-32 UNC-2B ∇ 1/2"
For Steel Key

ϕ 21/32" Thru
 ϕ 1" C'Bore
2X

.687

(3 1/2")

1/8" Gap
To ϕ

.376

R9"

30°

.250±.010
Cross Slot Depth

1 1/8"
C'Bore Wall

.752
.750

2.125

SECTION A-A

UNLESS OTHERWISE SPECIFIED
DIMENSIONS ARE IN INCHES
TOLERANCES ARE:
FRACTIONS DECIMALS ANGLES
 \pm 1/32 .XX±.015 \pm 5°
.XXX±.005
.XXXX±.0005

DRAWN TBJ	DATE 05/15/06
MATERIAL 319	WEIGHT (POUNDS) 34.4
STYLE D	DISPOSITION Released

Abbott Workholding Products

430 McCall Road
Manhattan, KS 66502
785-776-8555
785-587-0004 Fax
800-528-6459
www.abbottworkholding.com
engineering@abbottworkholding.com

CUSTOMER: Stock	SIZE A	Part Name TG1810HDP1	REV. A
--------------------	-----------	-------------------------	-----------