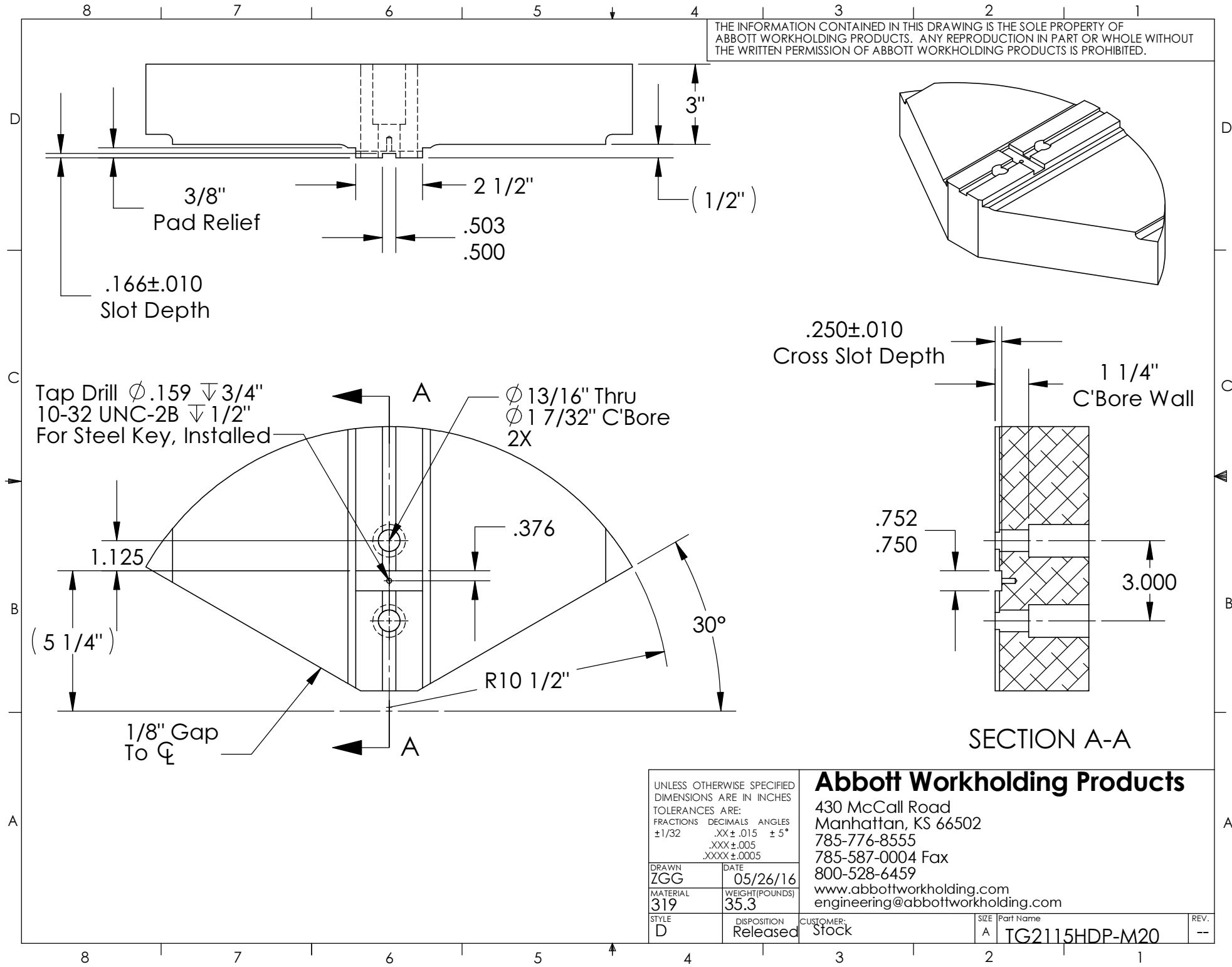


THE INFORMATION CONTAINED IN THIS DRAWING IS THE SOLE PROPERTY OF ABBOTT WORKHOLDING PRODUCTS. ANY REPRODUCTION IN PART OR WHOLE WITHOUT THE WRITTEN PERMISSION OF ABBOTT WORKHOLDING PRODUCTS IS PROHIBITED.



Tap Drill $\phi .159 \nabla 3/4"$
 10-32 UNC-2B $\nabla 1/2"$
 For Steel Key, Installed

$\phi 13/16"$ Thru
 $\phi 1 7/32"$ C'Bore
 2X

SECTION A-A

UNLESS OTHERWISE SPECIFIED
 DIMENSIONS ARE IN INCHES
 TOLERANCES ARE:
 FRACTIONS DECIMALS ANGLES
 $\pm 1/32$.XX $\pm .015$ $\pm 5^\circ$
 .XXX $\pm .005$
 .XXXX $\pm .0005$

Abbott Workholding Products

430 McCall Road
 Manhattan, KS 66502
 785-776-8555
 785-587-0004 Fax
 800-528-6459

www.abbottworkholding.com
 engineering@abbottworkholding.com

DRAWN ZGG	DATE 05/26/16
MATERIAL 319	WEIGHT(POUNDS) 35.3
STYLE D	DISPOSITION Released

CUSTOMER:
Stock

SIZE A	Part Name TG2115HDP-M20	REV. --
-----------	----------------------------	------------