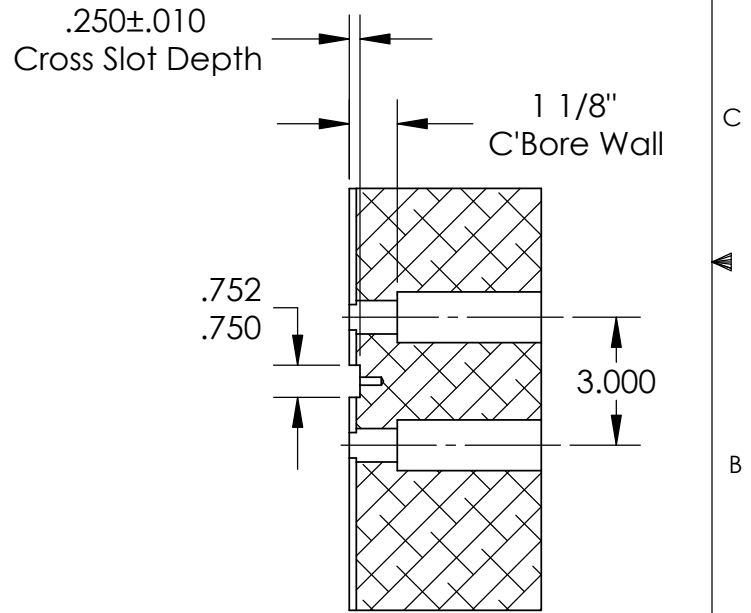
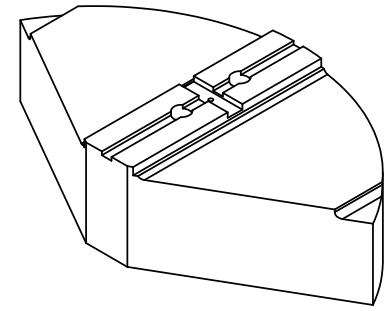
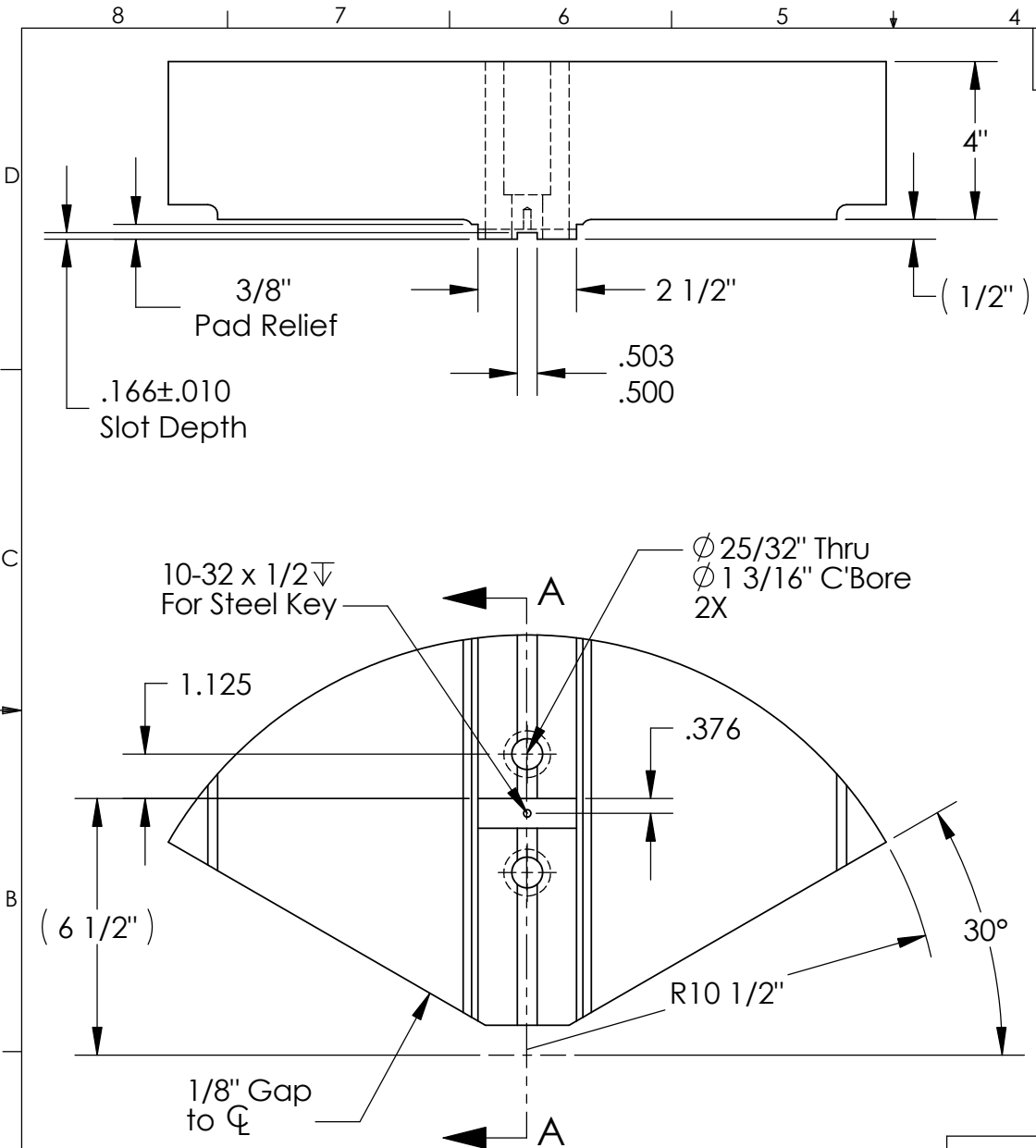


THE INFORMATION CONTAINED IN THIS DRAWING IS THE SOLE PROPERTY OF ABBOTT WORKHOLDING PRODUCTS. ANY REPRODUCTION IN PART OR WHOLE WITHOUT THE WRITTEN PERMISSION OF ABBOTT WORKHOLDING PRODUCTS IS PROHIBITED.



SECTION A-A

UNLESS OTHERWISE SPECIFIED DIMENSIONS ARE IN INCHES  
TOLERANCES ARE:  
FRACTIONS DECIMALS ANGLES  
±1/32 .XX±.015 ±5°  
.XXX±.005  
.XXXX±.0005

DRAWN	DATE				
TBJ	05/22/06				
MATERIAL	WEIGHT(POUNDS)				
319	46.6				
STYLE	DISPOSITION	CUSTOMER:	SIZE	Part Name	REV.
D	Released	Stock	A	TG2118HDP1	A

**Abbott Workholding Products**

430 McCall Road  
Manhattan, KS 66502  
785-776-8555  
785-587-0004 Fax  
800-528-6459  
www.abbottworkholding.com  
engineering@abbottworkholding.com