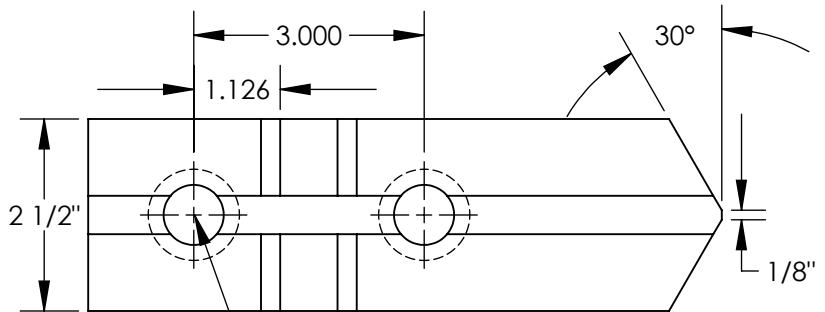
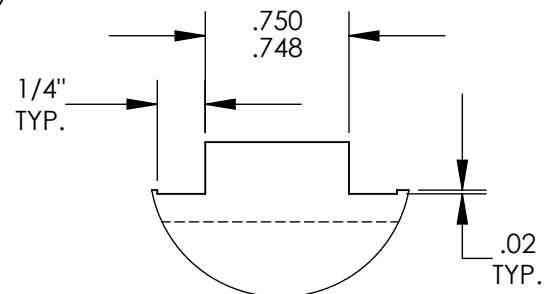


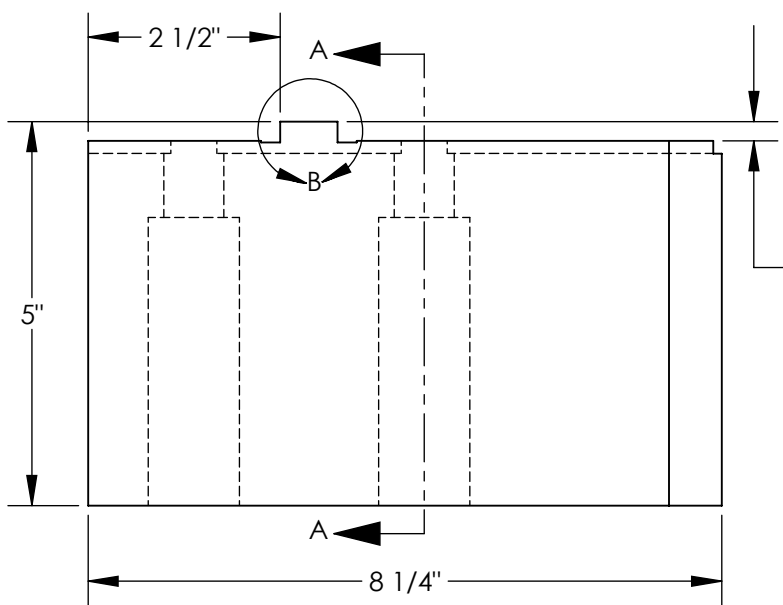
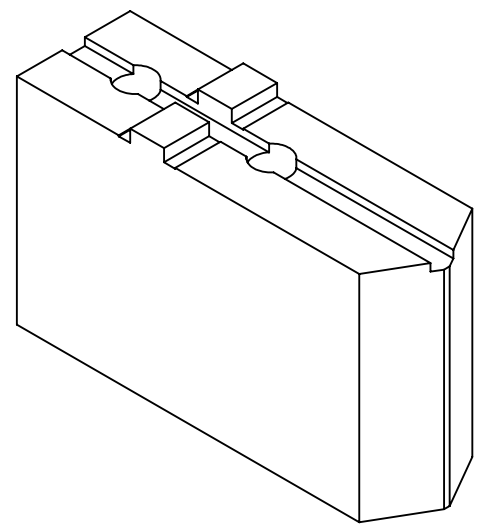
THE INFORMATION CONTAINED IN THIS DRAWING IS THE SOLE PROPERTY OF ABBOTT WORKHOLDING PRODUCTS. ANY REPRODUCTION IN PART OR WHOLE WITHOUT THE WRITTEN PERMISSION OF ABBOTT WORKHOLDING PRODUCTS IS PROHIBITED.



$\phi 25/32$ " Thru
 $\phi 1 3/16$ " C'Bore
 2X

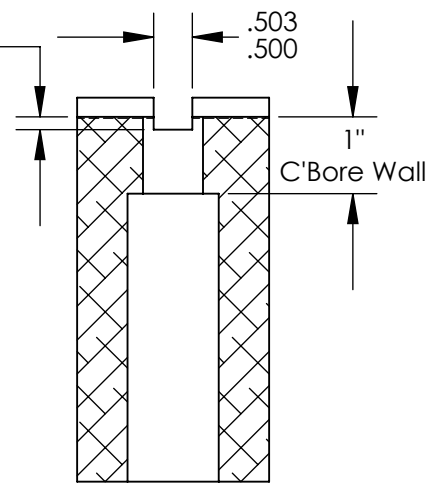


DETAIL B
 SCALE 1 : 1



$.250 \pm .010$
 Tongue Height

$.166 \pm .010$
 Slot Depth



SECTION A-A

UNLESS OTHERWISE SPECIFIED DIMENSIONS ARE IN INCHES TOLERANCES ARE: FRACTIONS DECIMALS ANGLES $\pm 1/32$.XX $\pm .015$ $\pm 5^\circ$.XXX $\pm .005$.XXXX $\pm .0005$	
DRAWN ZGG	DATE 10/30/20
MATERIAL 6061	WEIGHT(POUNDS) 8.3
STYLE A	DISPOSITION Released

Abbott Workholding Products

430 McCall Road
 Manhattan, KS 66502
 785-776-8555
 785-587-0004 Fax
 800-528-6459

www.abbottworkholding.com
 engineering@abbottworkholding.com

CUSTOMER: Stock	SIZE A	Part Name TG21HDA5	REV. A
--------------------	-----------	-----------------------	-----------