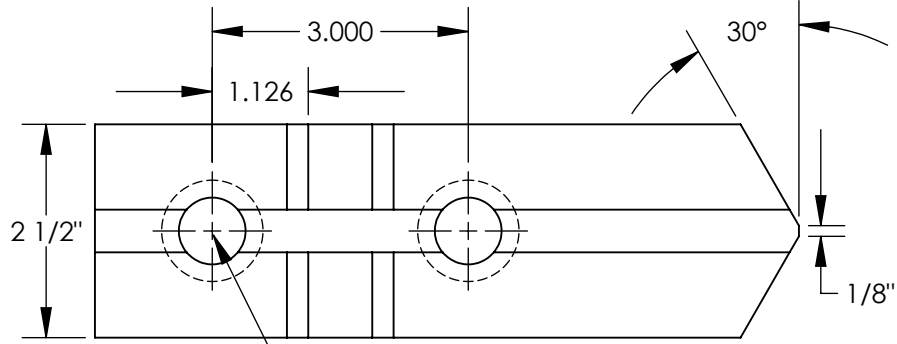
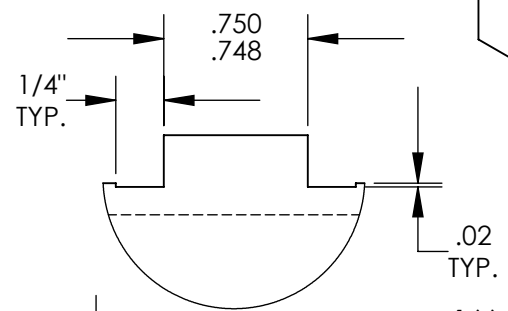


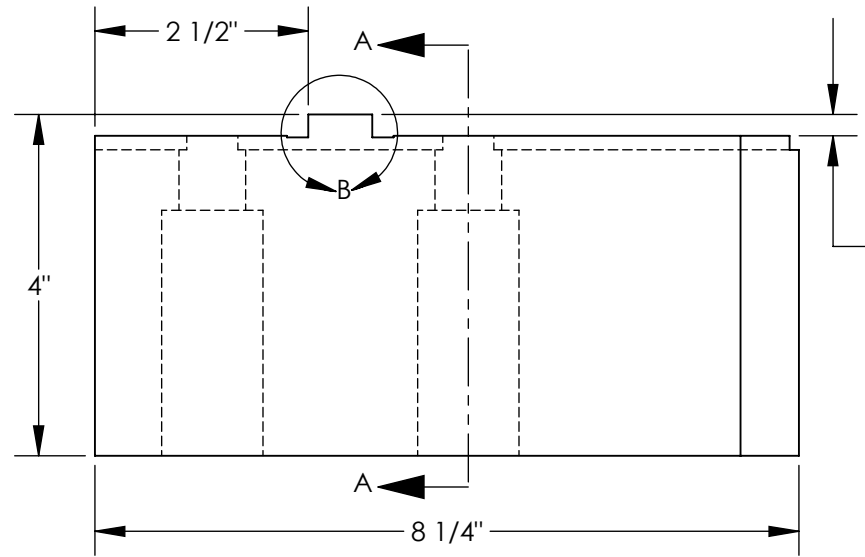
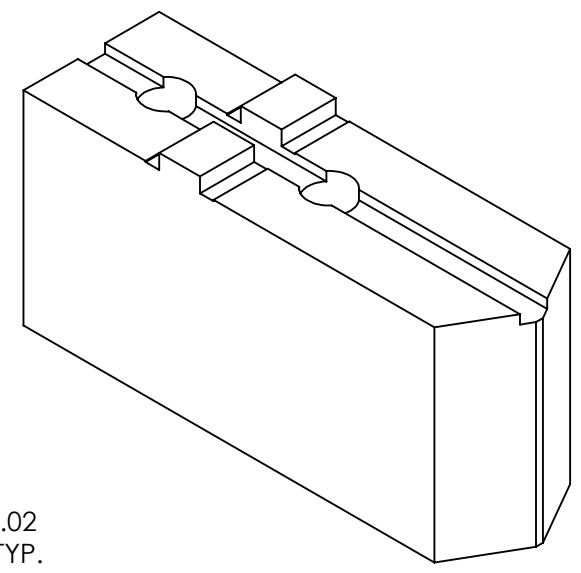
THE INFORMATION CONTAINED IN THIS DRAWING IS THE SOLE PROPERTY OF ABBOTT WORKHOLDING PRODUCTS. ANY REPRODUCTION IN PART OR WHOLE WITHOUT THE WRITTEN PERMISSION OF ABBOTT WORKHOLDING PRODUCTS IS PROHIBITED.



Ø 25/32" Thru  
Ø 1 3/16" C'Bore  
2X

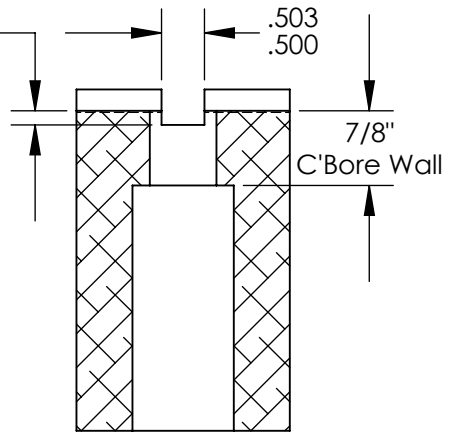


DETAIL B  
SCALE 1 : 1



.250±.010  
Tongue Height

.166±.010  
Slot Depth



SECTION A-A

UNLESS OTHERWISE SPECIFIED DIMENSIONS ARE IN INCHES TOLERANCES ARE: FRACTIONS DECIMALS ANGLES ± 1/32 .XX ± .015 ± 5° .XXX ± .005 .XXXX ± .0005	
DRAWN ZGG	DATE 10/30/20
MATERIAL 1018	WEIGHT(POUNDS) 19
STYLE A	DISPOSITION Released

### Abbott Workholding Products

430 McCall Road  
Manhattan, KS 66502  
785-776-8555  
785-587-0004 Fax  
800-528-6459

www.abbottworkholding.com  
engineering@abbottworkholding.com

CUSTOMER: Stock	SIZE Part Name A TG21HDS1	REV. A
--------------------	------------------------------	-----------