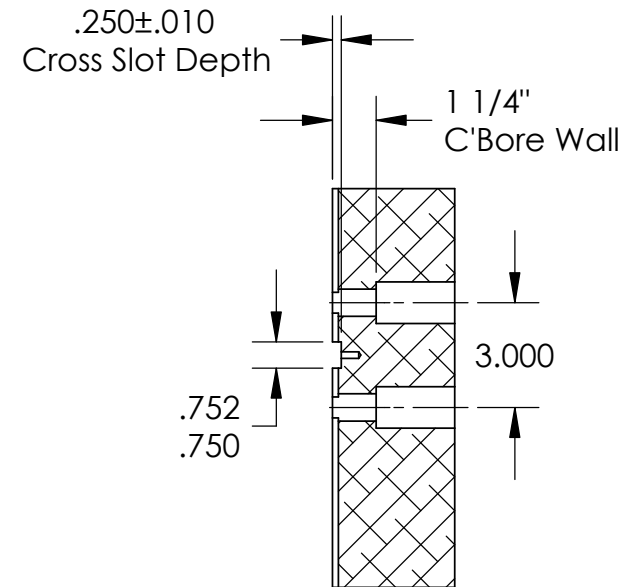
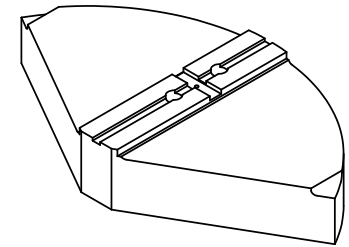
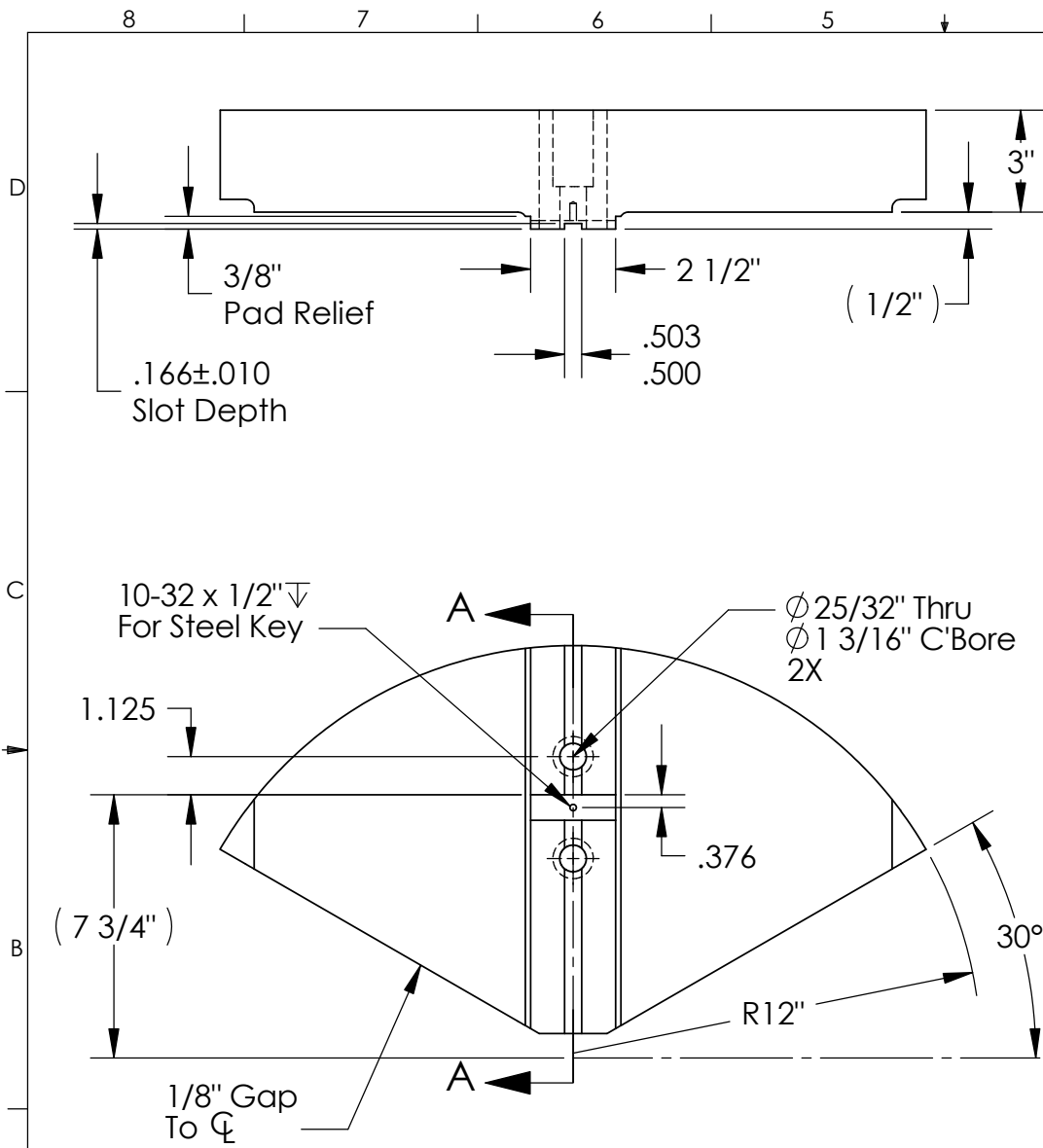


THE INFORMATION CONTAINED IN THIS DRAWING IS THE SOLE PROPERTY OF ABBOTT WORKHOLDING PRODUCTS. ANY REPRODUCTION IN PART OR WHOLE WITHOUT THE WRITTEN PERMISSION OF ABBOTT WORKHOLDING PRODUCTS IS PROHIBITED.



SECTION A-A

UNLESS OTHERWISE SPECIFIED DIMENSIONS ARE IN INCHES
TOLERANCES ARE:
FRACTIONS DECIMALS ANGLES
±1/32 .XX±.015 ±5°
.XXX±.005
.XXXX±.0005

DRAWN	DATE				
TBJ	10/05/07				
MATERIAL	WEIGHT (POUNDS)				
319	46.2				
STYLE	DISPOSITION	CUSTOMER:	SIZE	Part Name	REV.
D	Released	Stock	A	TG2421HDP	--

Abbott Workholding Products

430 McCall Road
Manhattan, KS 66502
785-776-8555
785-587-0004 Fax
800-528-6459

www.abbottworkholding.com
engineering@abbottworkholding.com

STYLE	DISPOSITION	CUSTOMER:	SIZE	Part Name	REV.
D	Released	Stock	A	TG2421HDP	--

A

A

8 7 6 5 4 3 2 1