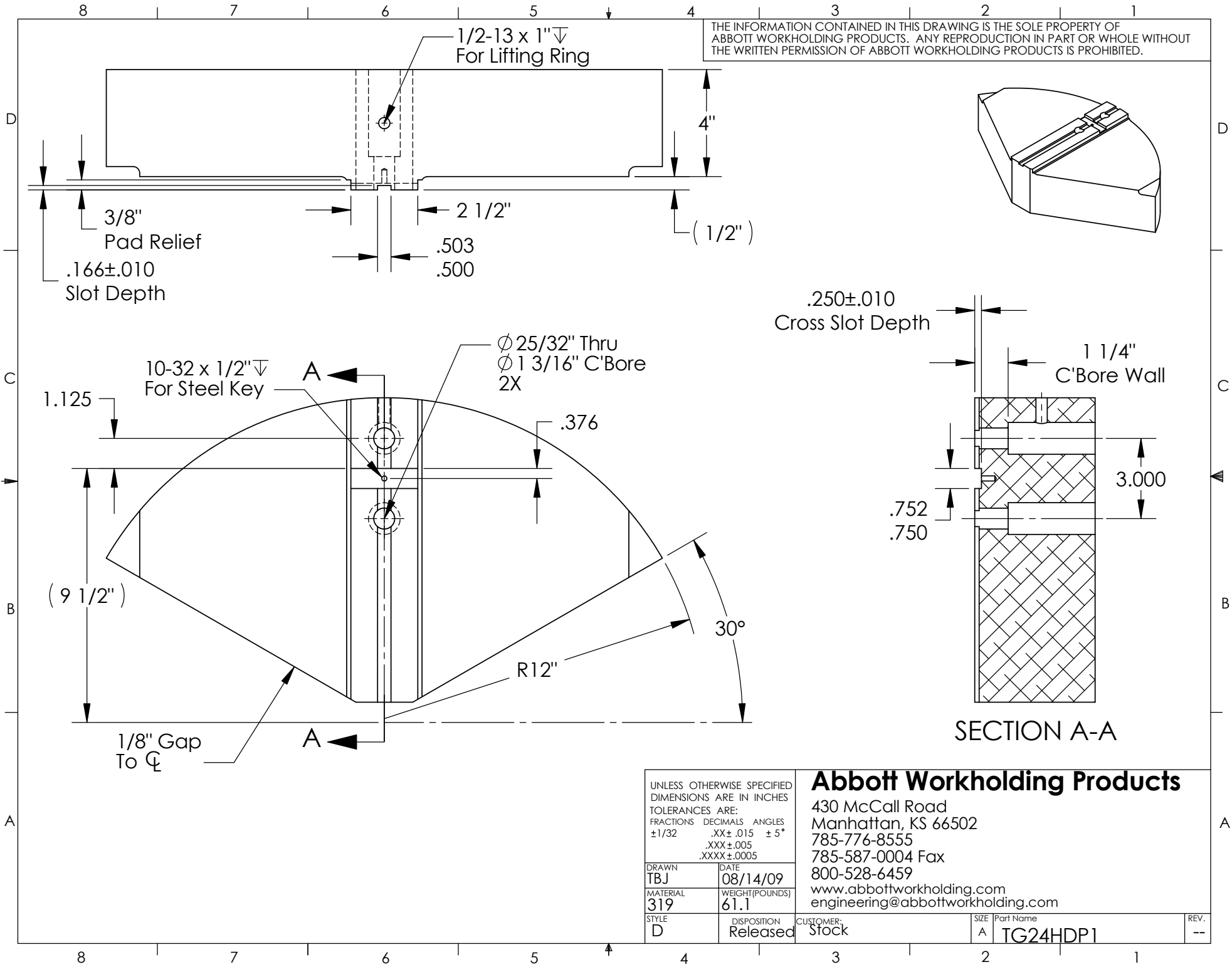


THE INFORMATION CONTAINED IN THIS DRAWING IS THE SOLE PROPERTY OF ABBOTT WORKHOLDING PRODUCTS. ANY REPRODUCTION IN PART OR WHOLE WITHOUT THE WRITTEN PERMISSION OF ABBOTT WORKHOLDING PRODUCTS IS PROHIBITED.



1/2-13 x 1" ∇
For Lifting Ring

4"
(1/2")

3/8"
Pad Relief
.166±.010
Slot Depth

2 1/2"
.503
.500

10-32 x 1/2" ∇
For Steel Key

ϕ 25/32" Thru
 ϕ 1 3/16" C'Bore
2X

1.125
(9 1/2")

.376

30°

R12"

1/8" Gap
To ϕ

.250±.010
Cross Slot Depth

1 1/4"
C'Bore Wall

.752
.750

3.000

SECTION A-A

UNLESS OTHERWISE SPECIFIED
DIMENSIONS ARE IN INCHES
TOLERANCES ARE:
FRACTIONS DECIMALS ANGLES
±1/32 .XX±.015 ±5°
.XXX±.005
.XXXX±.0005

Abbott Workholding Products

430 McCall Road
Manhattan, KS 66502
785-776-8555
785-587-0004 Fax
800-528-6459

www.abbottworkholding.com
engineering@abbottworkholding.com

DRAWN TBJ	DATE 08/14/09
MATERIAL 319	WEIGHT(POUNDS) 61.1
STYLE D	DISPOSITION Released

CUSTOMER: Stock	SIZE A	Part Name TG24HDP1	REV. --
--------------------	-----------	-----------------------	------------