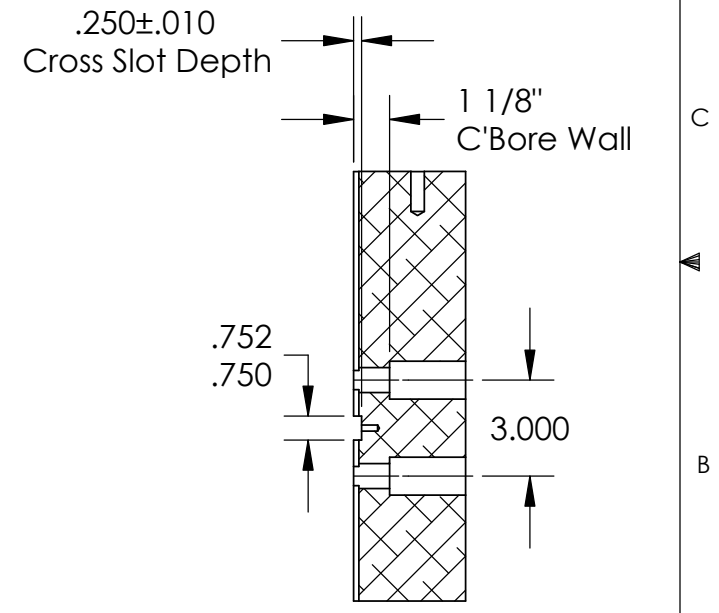
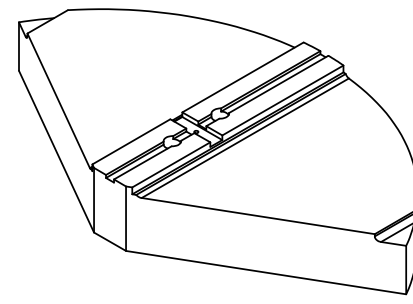
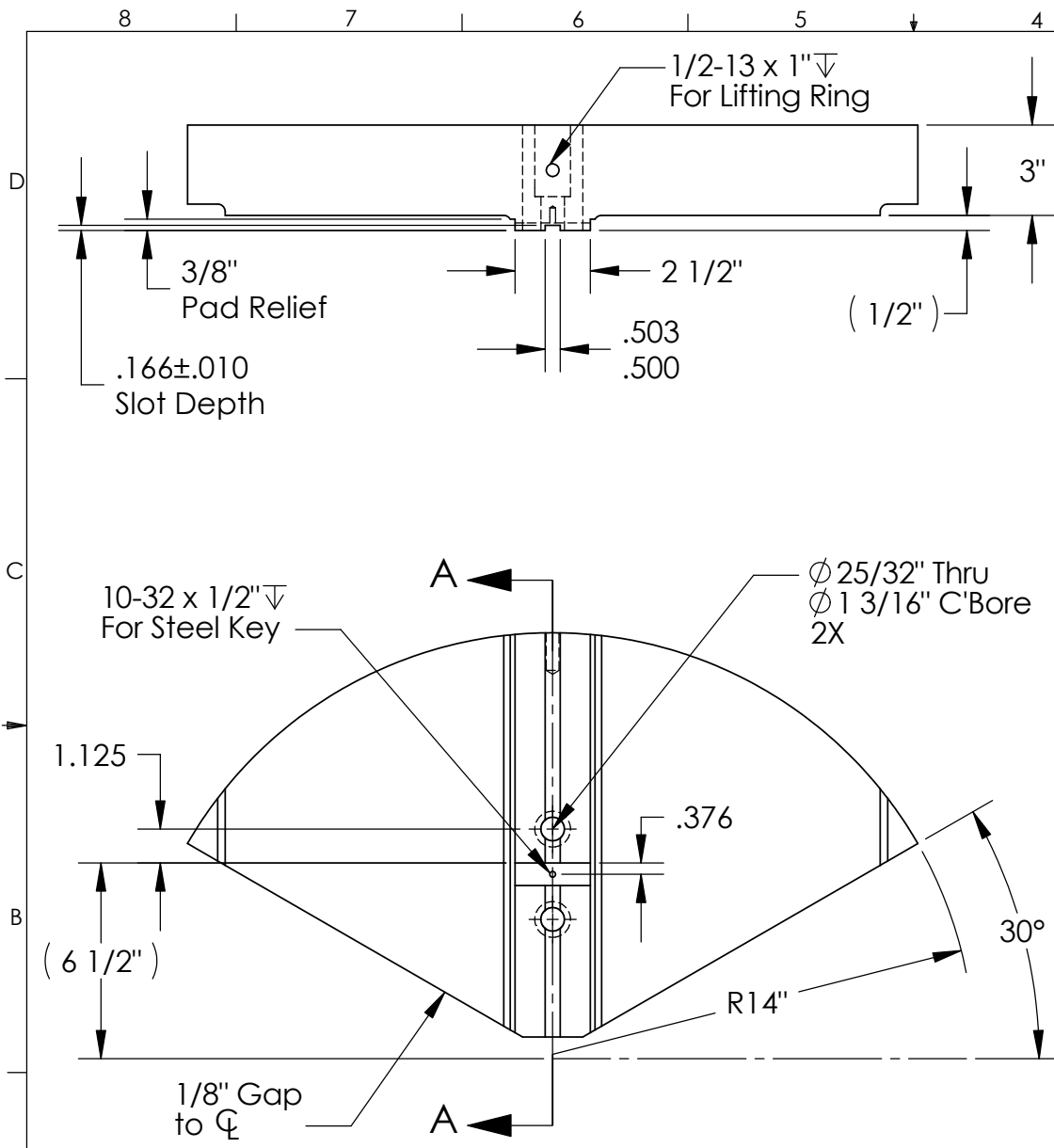


THE INFORMATION CONTAINED IN THIS DRAWING IS THE SOLE PROPERTY OF ABBOTT WORKHOLDING PRODUCTS. ANY REPRODUCTION IN PART OR WHOLE WITHOUT THE WRITTEN PERMISSION OF ABBOTT WORKHOLDING PRODUCTS IS PROHIBITED.



SECTION A-A

|  |                         |  |                        |
|--|-------------------------|--|------------------------|
| UNLESS OTHERWISE SPECIFIED<br>DIMENSIONS ARE IN INCHES<br>TOLERANCES ARE:<br>FRACTIONS DECIMALS ANGLES<br>$\pm$ 1/32 .XX $\pm$ .015 $\pm$ 5°<br>.XXX $\pm$ .005<br>.XXXX $\pm$ .0005 |                         | <b>Abbott Workholding Products</b><br>430 McCall Road<br>Manhattan, KS 66502<br>785-776-8555<br>785-587-0004 Fax<br>800-528-6459<br>www.abbottworkholding.com<br>engineering@abbottworkholding.com |                        |
| DRAWN<br>TBJ   | DATE<br>05/22/06        | CUSTOMER:<br>Stock   |                        |
| MATERIAL<br>A319   | WEIGHT(POUNDS)<br>62.9  | SIZE<br>A  | Part Name<br>TG2818HDP |
| STYLE<br>D   | DISPOSITION<br>Released | REV.<br>--   |                        |