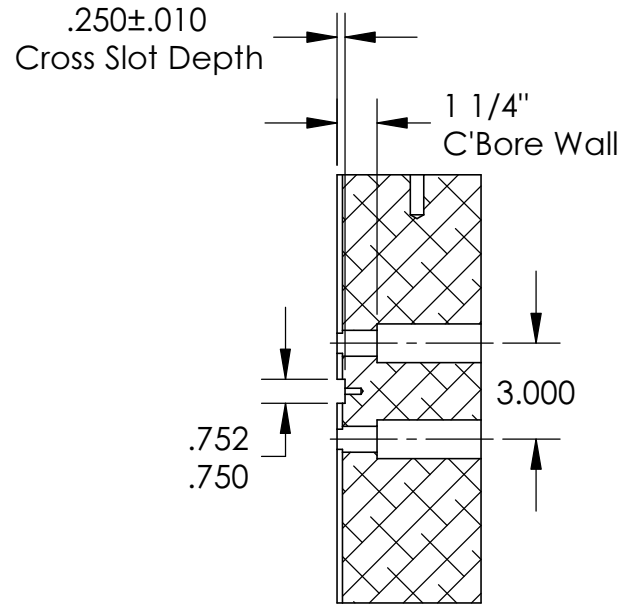
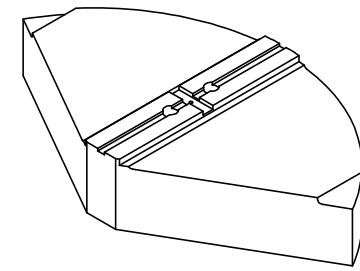
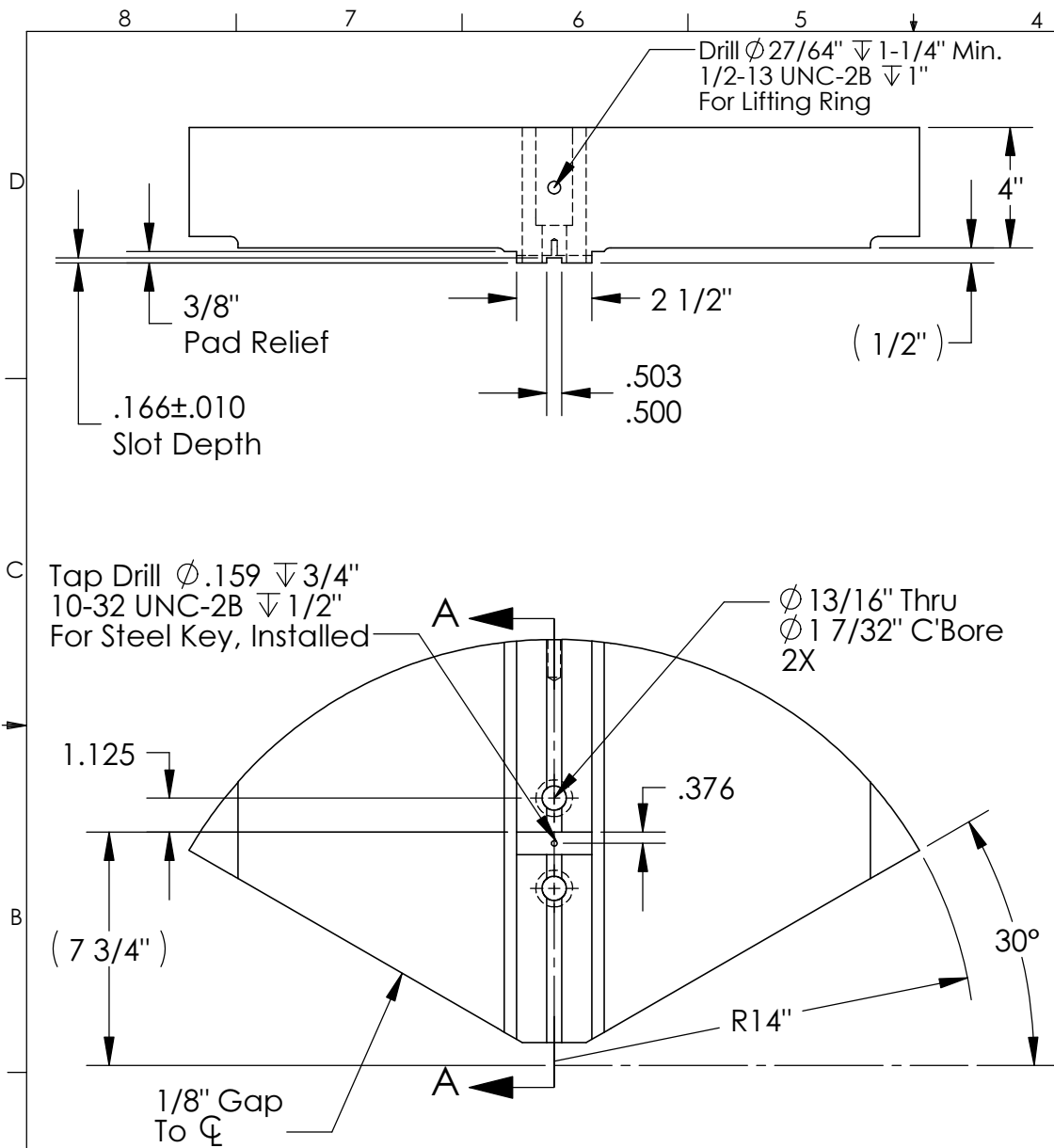


THE INFORMATION CONTAINED IN THIS DRAWING IS THE SOLE PROPERTY OF ABBOTT WORKHOLDING PRODUCTS. ANY REPRODUCTION IN PART OR WHOLE WITHOUT THE WRITTEN PERMISSION OF ABBOTT WORKHOLDING PRODUCTS IS PROHIBITED.



UNLESS OTHERWISE SPECIFIED  
 DIMENSIONS ARE IN INCHES  
 TOLERANCES ARE:  
 FRACTIONS DECIMALS ANGLES  
 $\pm 1/32$  .XX  $\pm$  .015  $\pm 5^\circ$   
 .XXX  $\pm$  .005  
 .XXXX  $\pm$  .0005

DRAWN ZGG	DATE 06/15/16
MATERIAL 319	WEIGHT (POUNDS) 83.3
STYLE D	DISPOSITION Released

**Abbott Workholding Products**

430 McCall Road  
 Manhattan, KS 66502  
 785-776-8555  
 785-587-0004 Fax  
 800-528-6459  
 www.abbottworkholding.com  
 engineering@abbottworkholding.com

CUSTOMER: Stock	SIZE A	Part Name TG2821HDP1-M20	REV. --
--------------------	-----------	-----------------------------	------------

A

A

8 7 6 5 4 3 2 1