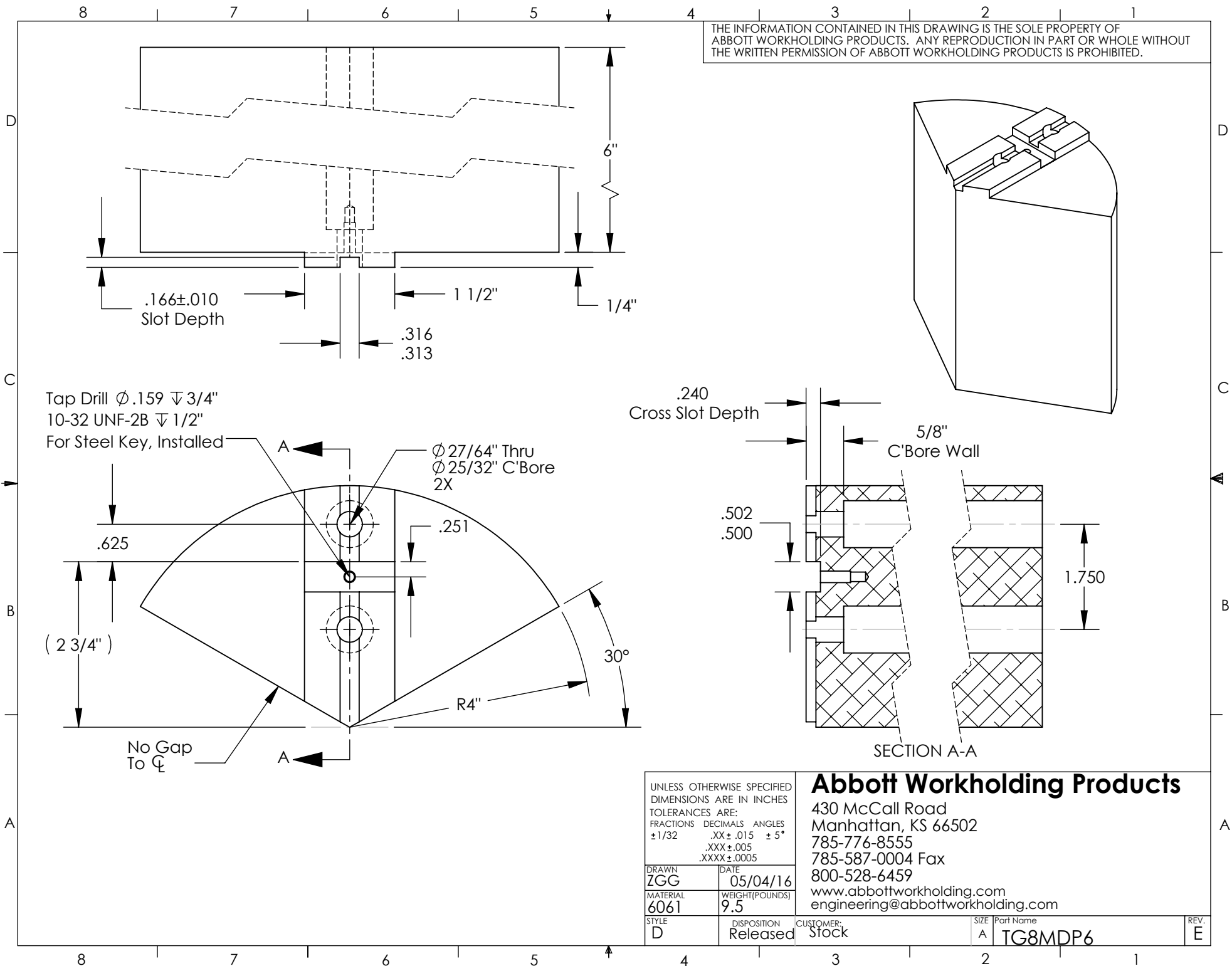


THE INFORMATION CONTAINED IN THIS DRAWING IS THE SOLE PROPERTY OF ABBOTT WORKHOLDING PRODUCTS. ANY REPRODUCTION IN PART OR WHOLE WITHOUT THE WRITTEN PERMISSION OF ABBOTT WORKHOLDING PRODUCTS IS PROHIBITED.



Tap Drill  $\varnothing .159 \nabla 3/4"$   
 10-32 UNF-2B  $\nabla 1/2"$   
 For Steel Key, Installed

$\varnothing 27/64"$  Thru  
 $\varnothing 25/32"$  C'Bore  
 2X

### Abbott Workholding Products

430 McCall Road  
 Manhattan, KS 66502  
 785-776-8555  
 785-587-0004 Fax  
 800-528-6459

www.abbottworkholding.com  
 engineering@abbottworkholding.com

UNLESS OTHERWISE SPECIFIED  
 DIMENSIONS ARE IN INCHES  
 TOLERANCES ARE:  
 FRACTIONS DECIMALS ANGLES  
 $\pm 1/32$  .XX  $\pm .015$   $\pm 5^\circ$   
 .XXX  $\pm .005$   
 .XXXX  $\pm .0005$

DRAWN	DATE
ZGG	05/04/16
MATERIAL	WEIGHT(POUNDS)
6061	9.5

STYLE	DISPOSITION	CUSTOMER:	SIZE	Part Name	REV.
D	Released	Stock	A	TG8MDP6	E