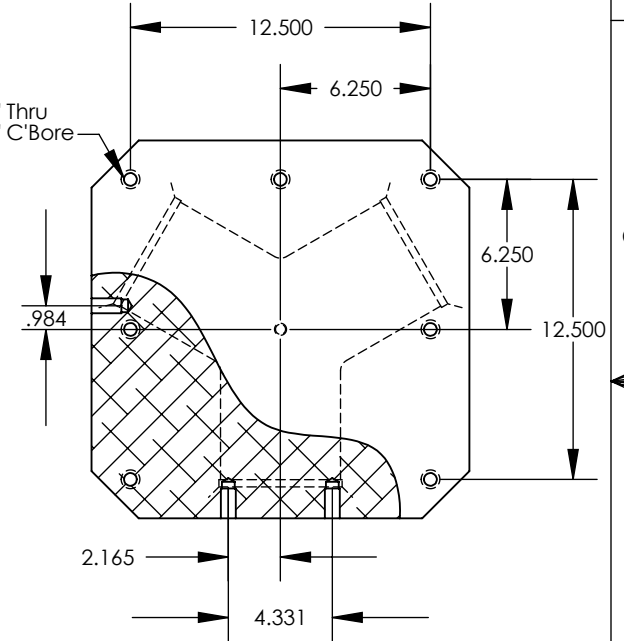
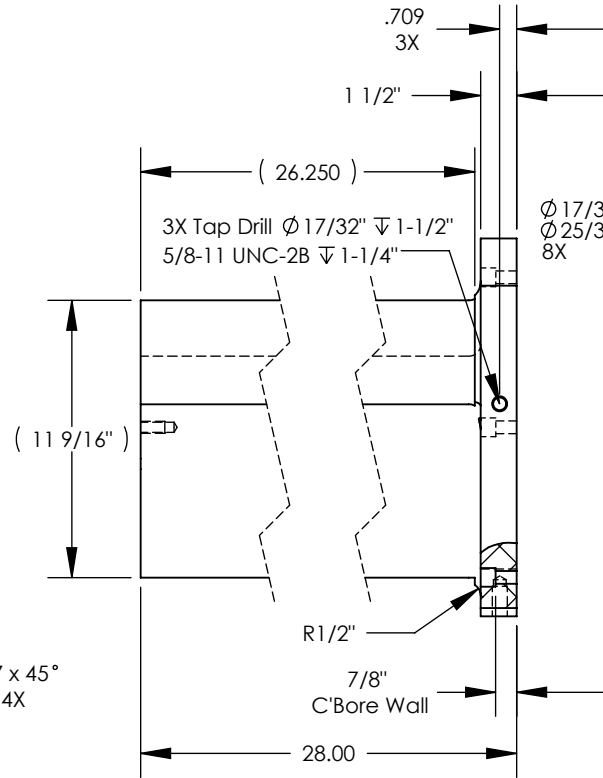
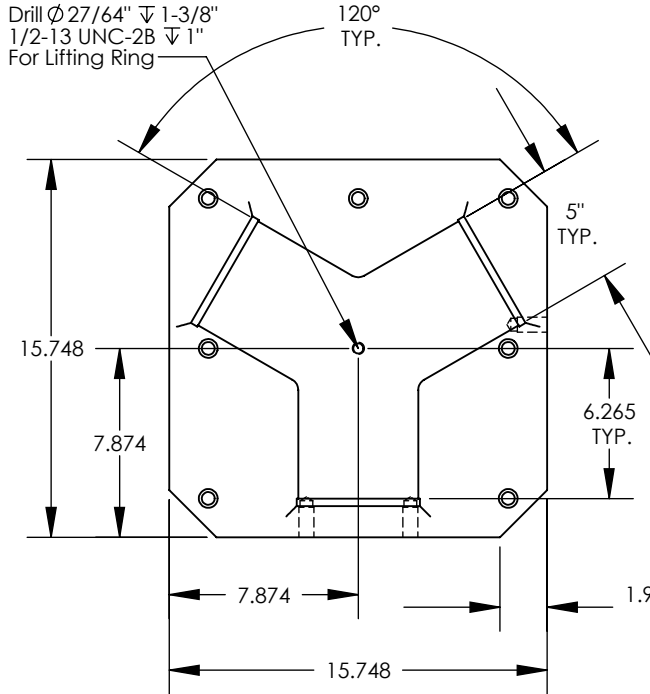


NOTES: Unless otherwise specified.

1. Machined surfaces  $\perp$  .001 in 12" // .002 in 12"  $\square$  .001 in 12"
2. Deburr and break all sharp edges.

THE INFORMATION CONTAINED IN THIS DRAWING IS THE SOLE PROPERTY OF ABBOTT WORKHOLDING PRODUCTS. ANY REPRODUCTION IN PART OR WHOLE WITHOUT THE WRITTEN PERMISSION OF ABBOTT WORKHOLDING PRODUCTS IS PROHIBITED.



UNLESS OTHERWISE SPECIFIED  
 DIMENSIONS ARE IN INCHES  
 TOLERANCES ARE:  
 FRACTIONS DECIMALS ANGLES  
 $\pm 1/32$  .XX  $\pm .015$   $\pm 5^\circ$   
 .XXX  $\pm .005$   
 .XXXX  $\pm .0005$

|          |                 |
|----------|-----------------|
| DRAWN    | DATE            |
| ZGG      | 06/08/20        |
| MATERIAL | WEIGHT (POUNDS) |
| 713      | 261.5           |
| STYLE    | DISPOSITION     |
| TC       | Released        |

### Abbott Workholding Products

430 McCall Road  
 Manhattan, KS 66502  
 785-776-8555  
 785-587-0004 Fax  
 800-528-6459

www.abbottworkholding.com  
 engineering@abbottworkholding.com

|           |      |              |      |
|-----------|------|--------------|------|
| CUSTOMER: | SIZE | Part Name    | REV. |
| Stock     | A    | Y5286-400DMG | --   |